



**MAULDIN**

**BY CALDER BROTHERS**

**Parts Manual**

**Model: 1360**

**Covers Serial Number Range:**

**753-R-13TZT\*Y2-03753 through \_\_\_\_\_**

**Sold & Serviced By:**

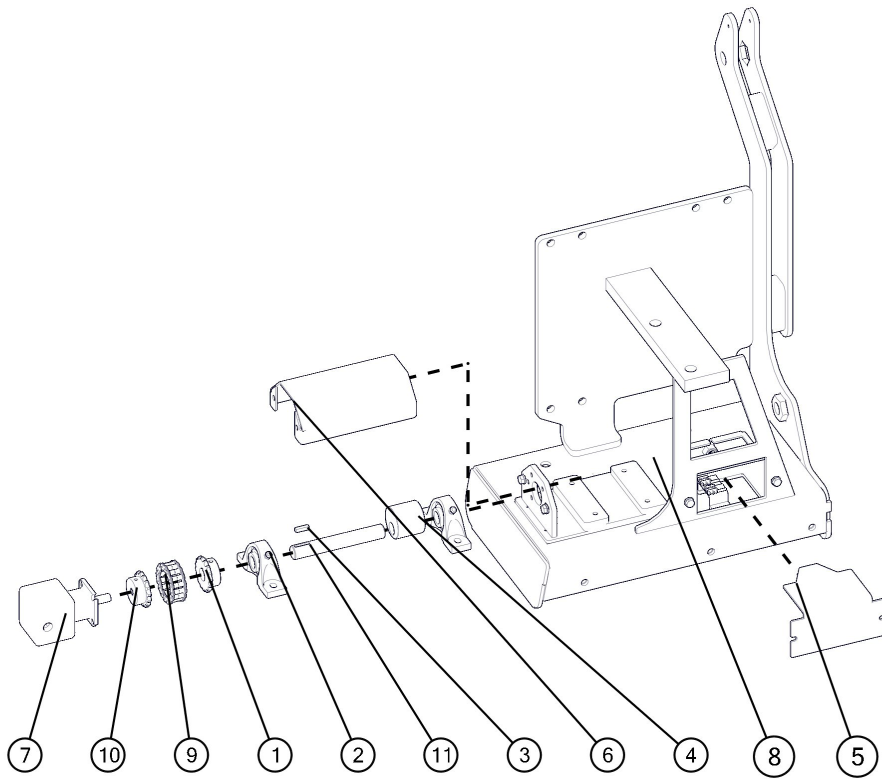


# Contents

<b>1. Main Screed .....</b>	<b>1</b>
<b>1.1 Right Main Cover .....</b>	<b>1</b>
<b>1.2 Left Main Cover .....</b>	<b>3</b>
<b>1.3 Main Screed Bottom .....</b>	<b>5</b>
<b>2.0 Right Hand Extension .....</b>	<b>7</b>
<b>2.1 Right Hand Extension Weldment .....</b>	<b>7</b>
<b>2.2 Right Hand Match Height .....</b>	<b>9</b>
<b>2.3 Right Hand End Gate .....</b>	<b>11</b>
<b>3.0 Left Hand Extension .....</b>	<b>13</b>
<b>3.1 Left Hand Extension Weldment .....</b>	<b>13</b>
<b>3.2 Left Hand Match Height .....</b>	<b>15</b>
<b>3.3 Left Hand End Gate .....</b>	<b>17</b>
<b>4.0 Pre Strike Off Plate .....</b>	<b>19</b>
<b>5.0 Screed Arms .....</b>	<b>21</b>
<b>5.1 Right Hand Screed Arm .....</b>	<b>21</b>
<b>5.2 Left Hand Screed Arm .....</b>	<b>23</b>

## 1.0 Main Screenshot

### 1.1 Right Main Cover

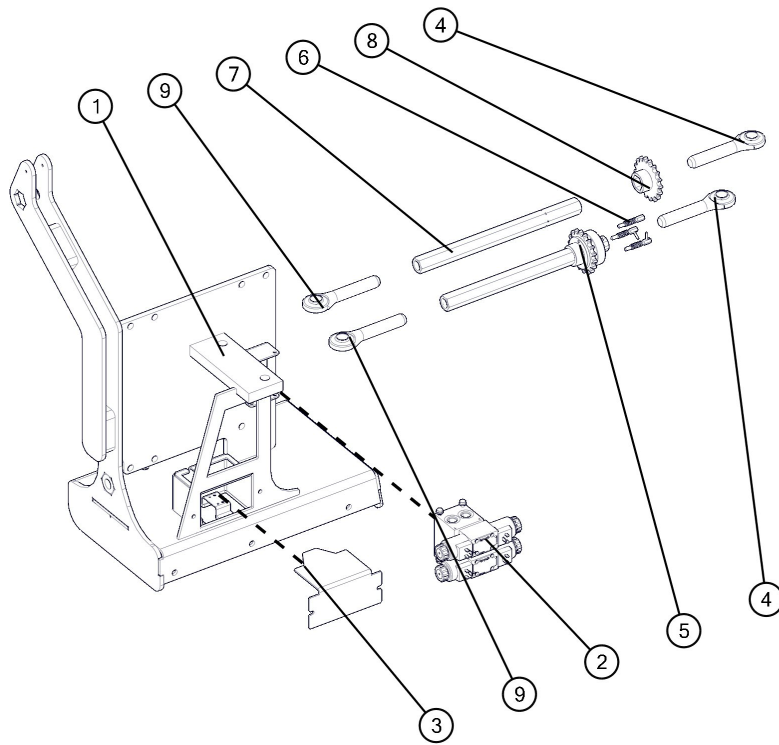


---

**Main Screed Right Cover**

<b>BOM ID</b>	<b>Part Number</b>	<b>Description</b>	<b>Qty</b>
<b>1</b>	<b>015-0033</b>	<b>CHAIN COUPLING</b>	<b>1</b>
<b>2</b>	<b>018-0002</b>	<b>PILLOW BLOCK BEARING</b>	<b>2</b>
<b>3</b>	<b>083-0014</b>	<b>SQUARE KEY</b>	<b>1</b>
<b>4</b>	<b>113-100479</b>	<b>SCREED VIBRATOR WEIGHT</b>	<b>1</b>
<b>5</b>	<b>113-118030</b>	<b>ELECTRICAL COVER PLATE MAIN SCREED</b>	<b>1</b>
<b>6</b>	<b>113-209016</b>	<b>COVER VIBRATOR</b>	<b>1</b>
<b>7</b>	<b>013-0055</b>	<b>VIBRATOR MOTOR</b>	<b>1</b>
<b>8</b>	<b>112-118002</b>	<b>MAIN COVER WELDEMENT RIGHT</b>	<b>1</b>
<b>9</b>	<b>015-0044</b>	<b>COUPLING CHAIN</b>	<b>1</b>
<b>10</b>	<b>015-0119</b>	<b>CHAIN COUPLING SPLINE SHAFT</b>	<b>1</b>
<b>11</b>	<b>113-100482</b>	<b>SCREED VIBRATOR SHAFT</b>	<b>1</b>

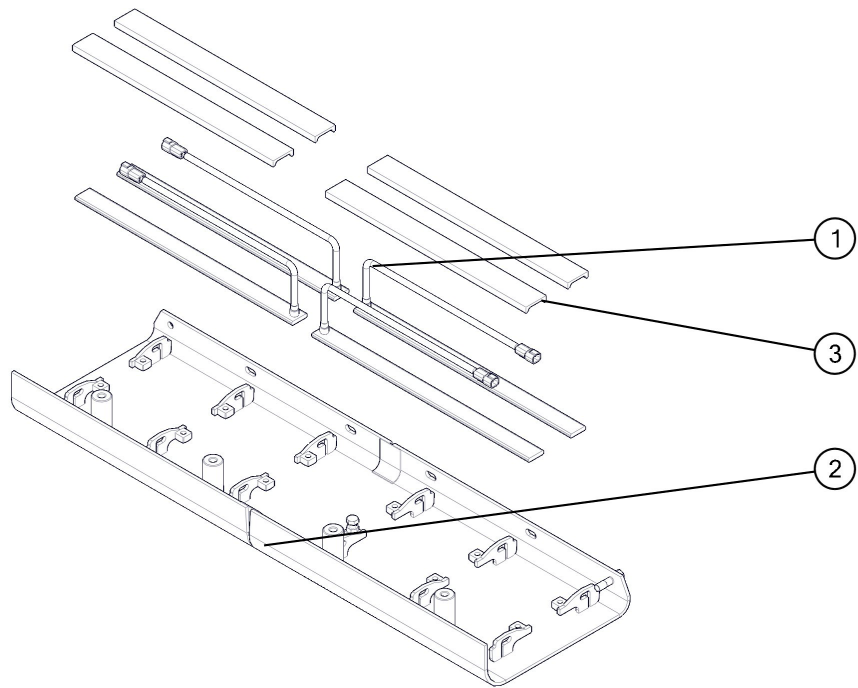
## 1.2 Left Main Cover



**Main Screed Left Cover**

<b>BOM ID</b>	<b>Part Number</b>	<b>Description</b>	<b>Qty</b>
<b>1</b>	<b>112-118003</b>	<b>MAIN COVER WELDEMENT LEFT</b>	<b>1</b>
<b>2</b>	<b>017-0304</b>	<b>VALVE BANK</b>	<b>1</b>
<b>3</b>	<b>113-118030</b>	<b>ELECTRICAL COVER PLATE MAIN SCREED</b>	<b>1</b>
<b>4</b>	<b>112-209582</b>	<b>ADJUSTING ROD WELDEMENT LEFT THREADS</b>	<b>2</b>
<b>5</b>	<b>112-302670</b>	<b>MANUAL CROWN RATCHET JACK WELDMENT REAR</b>	<b>1</b>
<b>6</b>	<b>030-0522</b>	<b>RETRACTABLE PLUNGER</b>	<b>3</b>
<b>7</b>	<b>113-302670</b>	<b>SCREED CROWN RACHETJACK FIXED BODY</b>	<b>1</b>
<b>8</b>	<b>112-302674</b>	<b>DRIVEN SPROCKET WELDEMENT</b>	<b>1</b>
<b>9</b>	<b>112-209582</b>	<b>ADJUSTING ROD WELDEMENT RIGHT THREADS</b>	<b>2</b>

### 1.3 Main Screed Bottom





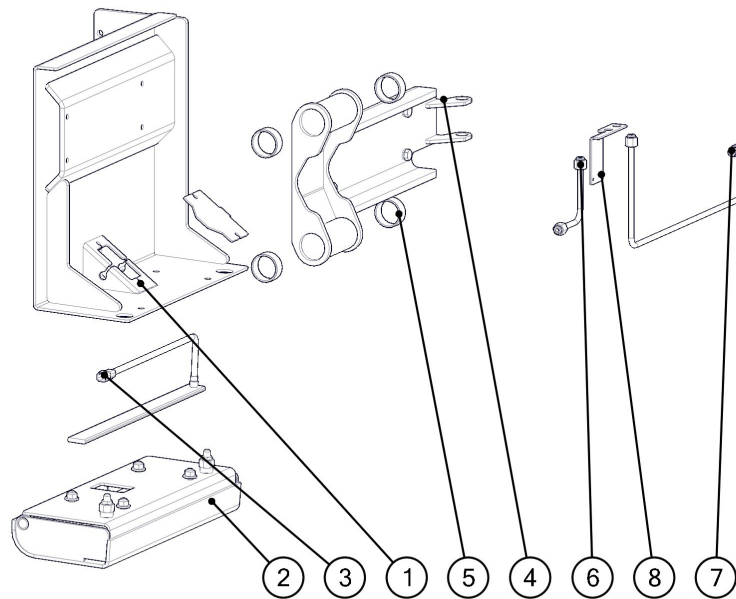
---

**Main Screed Bottom**

BOM ID	Part Number	Description	Qty
1	020-0786	HEAT STRIP	4
2	112-118008	SCREED BOTTOM	1
3	113-309290	HEAT STRIP RETAINER	4

## 2.0 Right Hand Extension

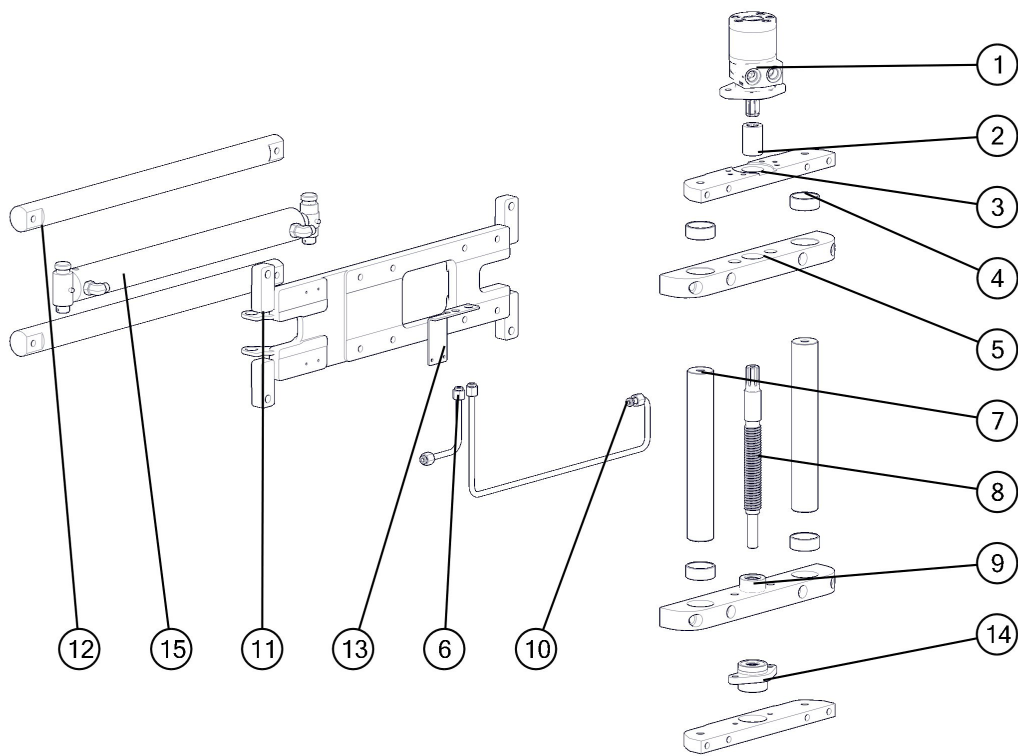
### 2.1 Right Hand Extension Weldment



**Right Hand Extension**

<b>BOM ID</b>	<b>Part Number</b>	<b>Description</b>	<b>Qty</b>
<b>1</b>	<b>112-118300</b>	<b>EXTENSION WELDEMENT RIGHT</b>	<b>1</b>
<b>2</b>	<b>112-118390</b>	<b>EXTENSION BOTTOM SCREED PLATE WELDEMENT</b>	<b>1</b>
<b>3</b>	<b>020-0786</b>	<b>HEAT STRIP</b>	<b>1</b>
<b>4</b>	<b>112-118220</b>	<b>EXTENSION ATTACHMENT WELDMENT</b>	<b>1</b>
<b>5</b>	<b>018-0098</b>	<b>COMPOSITE BUSHING</b>	<b>4</b>
<b>6</b>	<b>014-118006</b>	<b>TUBE EXTENSION CYLINDER EXTEND</b>	<b>1</b>
<b>7</b>	<b>014-118007</b>	<b>TUBE EXTENSION CYLINDER RETRACT</b>	<b>1</b>
<b>8</b>	<b>113-118208</b>	<b>EXTENSION TUBE BULKHEAD PLATE RIGHT</b>	<b>1</b>

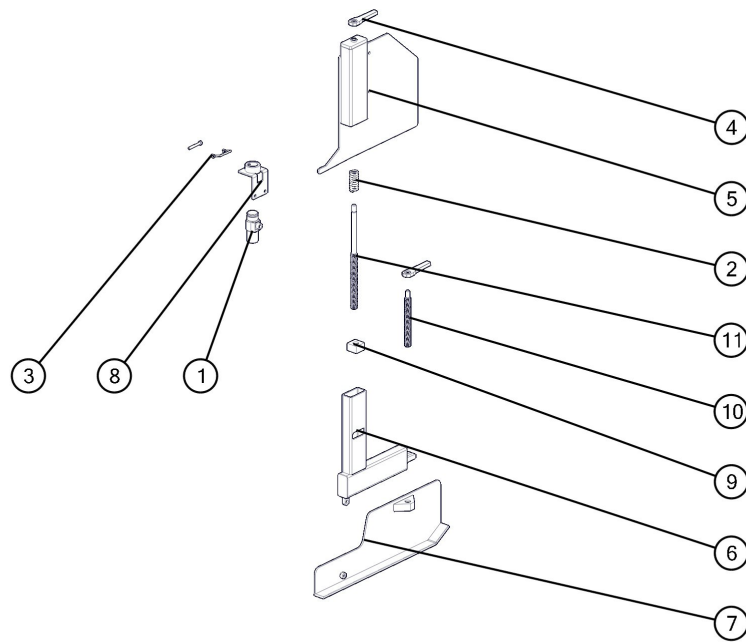
## 2.2 Right Hand Match Height



**Right Hand Match Height**

<b>BOM ID</b>	<b>Part Number</b>	<b>Description</b>	<b>Qty</b>
<b>1</b>	<b>013-0106</b>	<b>HYDRAULIC MOTOR MATCH HEIGHT</b>	<b>1</b>
<b>2</b>	<b>015-0286</b>	<b>SPLINE BUSHING</b>	<b>1</b>
<b>3</b>	<b>113-302008</b>	<b>EXTENSION CARRIER</b>	<b>2</b>
<b>4</b>	<b>018-0098</b>	<b>COMPOSITE BUSHING</b>	<b>4</b>
<b>5</b>	<b>113-118204</b>	<b>EXTENSION CARRIER MOUNTING BAR</b>	<b>1</b>
<b>6</b>	<b>014-118006</b>	<b>TUBE EXTENSION CYLINDER EXTEND</b>	<b>1</b>
<b>7</b>	<b>113-302148</b>	<b>CHROME ROD</b>	<b>2</b>
<b>8</b>	<b>113-302190</b>	<b>MATCH HEIGH THREADED ROD</b>	<b>1</b>
<b>9</b>	<b>112-118205</b>	<b>EXTENSION CARRIER MOUNTING BAR BOTTOM</b>	<b>1</b>
<b>10</b>	<b>014-118007</b>	<b>TUBE EXTENSION CYLINDER RETRACT</b>	<b>1</b>
<b>11</b>	<b>112-118200</b>	<b>EXTENSION CARRIER WELDMENT</b>	<b>1</b>
<b>12</b>	<b>113-118210</b>	<b>EXTENSION SLIDE CHROME ROD</b>	<b>2</b>
<b>13</b>	<b>113-118208</b>	<b>EXTENSION TUBE BULKHEAD PLATE RIGHT</b>	<b>1</b>
<b>14</b>	<b>112-302006</b>	<b>BOTTOM SUPPORT BEARING</b>	<b>1</b>
<b>15</b>	<b>012-0075</b>	<b>EXTENSION CYLINDER</b>	<b>1</b>

## 2.3 Right Hand End Gate

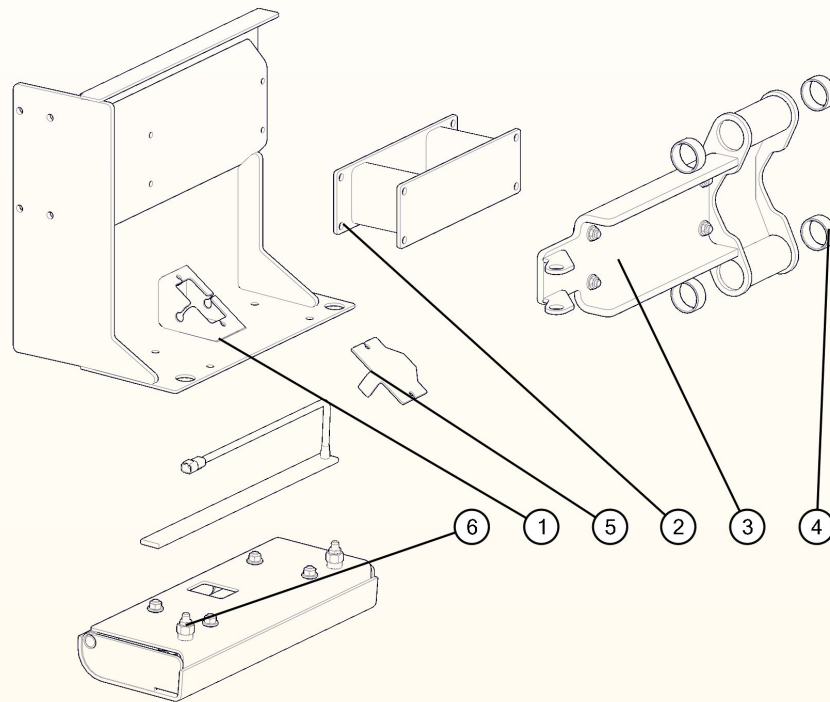


**Right Hand End Gate**

<b>BOM ID</b>	<b>Part Number</b>	<b>Description</b>	<b>Qty</b>
<b>1</b>	<b>020-0535</b>	<b>AUGER SONIC SENSOR RIGHT</b>	<b>1</b>
<b>2</b>	<b>050-0342</b>	<b>END GATE SHOE TENSION SPRING</b>	<b>1</b>
<b>3</b>	<b>030-0153</b>	<b>PIN 5/16 LATCH</b>	<b>1</b>
<b>4</b>	<b>111-104170</b>	<b>RACHET HANDLE SMALL</b>	<b>2</b>
<b>5</b>	<b>112-118350</b>	<b>WELDMENT ENDGATE BASE RH</b>	<b>1</b>
<b>6</b>	<b>112-209450</b>	<b>WELDMENT ENDGATE TOWER</b>	<b>1</b>
<b>7</b>	<b>112-209460</b>	<b>WELDMENT ENDGATE RH</b>	<b>1</b>
<b>8</b>	<b>112-118308</b>	<b>BRACKET SONIC SENSOR</b>	<b>1</b>
<b>9</b>	<b>113-209462</b>	<b>END GATE SLIDE NUT</b>	<b>1</b>
<b>10</b>	<b>113-209468</b>	<b>SHOE ANGLE ADJUSTING THREADED SHAFT</b>	<b>1</b>
<b>11</b>	<b>113-302376</b>	<b>EXENSTION SHOE HEIGHT ADJUSTMENT SCREW</b>	<b>1</b>
<b>12 (Not Shown)</b>	<b>050-0350</b>	<b>CABLE SONIC SENSOR</b>	<b>1</b>

### 3.0 Left Hand Extension

#### 3.1 Left Hand Extension Weldment



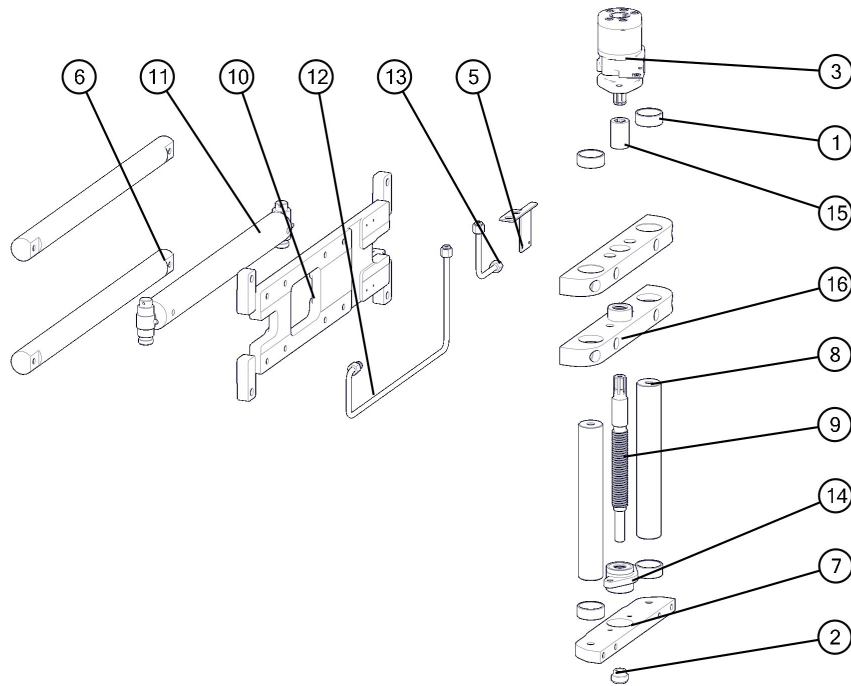


---

**Left Hand Extension**

<b>BOM ID</b>	<b>Part Number</b>	<b>Description</b>	<b>Qty</b>
<b>1</b>	<b>112-118301</b>	<b>EXTENSION WELDEMENT LEFT</b>	<b>1</b>
<b>2</b>	<b>112-118291</b>	<b>EXTENSION SUB-ASSEMBY LEFT</b>	<b>1</b>
<b>3</b>	<b>112-118220</b>	<b>EXTENSION ATTACHMENT WELDMENT</b>	<b>1</b>
<b>4</b>	<b>018-0098</b>	<b>COMPOSITE BUSHING</b>	<b>4</b>
<b>5</b>	<b>113-118312</b>	<b>ELECTRICAL COVER PLATE EXTENSION</b>	<b>1</b>
<b>6</b>	<b>111-118390</b>	<b>EXTENSION BOTTOM</b>	<b>1</b>

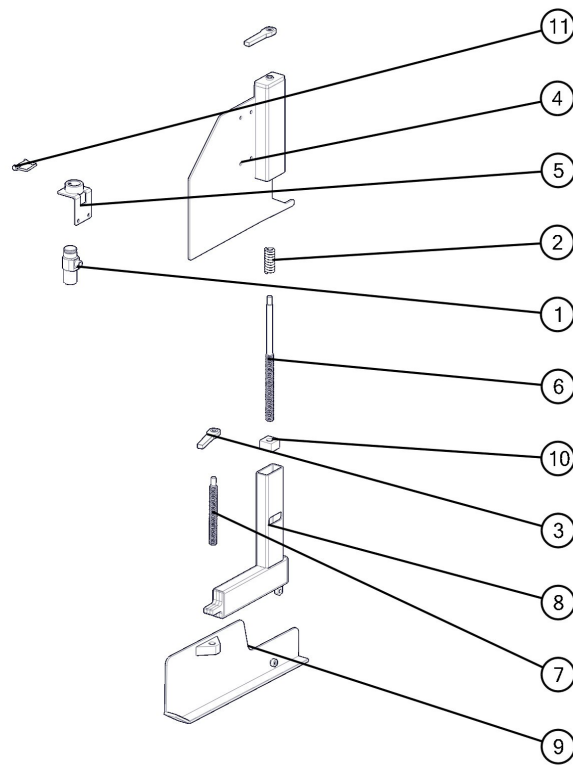
### 3.2 Left Hand Match Height



**Left Hand Match Height**

<b>BOM ID</b>	<b>Part Number</b>	<b>Description</b>	<b>Qty</b>
<b>1</b>	<b>018-0098</b>	<b>COMPOSITE BUSHING</b>	<b>4</b>
<b>2</b>	<b>113-302192</b>	<b>BOTTOM BEARING RETAINING NUT</b>	<b>1</b>
<b>3</b>	<b>013-0106</b>	<b>MOTOR HYDRAULIC</b>	<b>1</b>
<b>4</b>	<b>113-118204</b>	<b>EXTENSION CARRIER MOUNTING BAR</b>	<b>1</b>
<b>5</b>	<b>113-118209</b>	<b>EXTENSION TUBE BULKHEAD PLATE LEFT</b>	<b>1</b>
<b>6</b>	<b>113-118210</b>	<b>EXTENSION SLIDE CHROME ROD</b>	<b>2</b>
<b>7</b>	<b>113-302008</b>	<b>EXTENSION CARRIER BOTTOM MOUNTING BAR</b>	<b>1</b>
<b>8</b>	<b>113-302148</b>	<b>2.00IN VERTICAL CHROME ROD</b>	<b>2</b>
<b>9</b>	<b>113-302190</b>	<b>MATCH HEIGHT THREADED SHAFT</b>	<b>1</b>
<b>10</b>	<b>112-118200</b>	<b>EXTENSION ROD MOUNT</b>	<b>1</b>
<b>11</b>	<b>012-0075</b>	<b>EXTENSION CYLINDER ASSEMBLY</b>	<b>1</b>
<b>12</b>	<b>014-118007</b>	<b>TUBE EXTENSION CYLINDER RETRACT</b>	<b>1</b>
<b>13</b>	<b>014-118006</b>	<b>TUBE EXTENSION CYLINDER EXTEND</b>	<b>1</b>
<b>14</b>	<b>112-302006</b>	<b>BOTTOM SUPPORT BEARING</b>	<b>1</b>
<b>15</b>	<b>015-0286</b>	<b>SPLINE BUSHING</b>	<b>1</b>
<b>16</b>	<b>112-118205</b>	<b>EXTENSION CARRIER MOUNTING BAR BOTTOM</b>	<b>1</b>

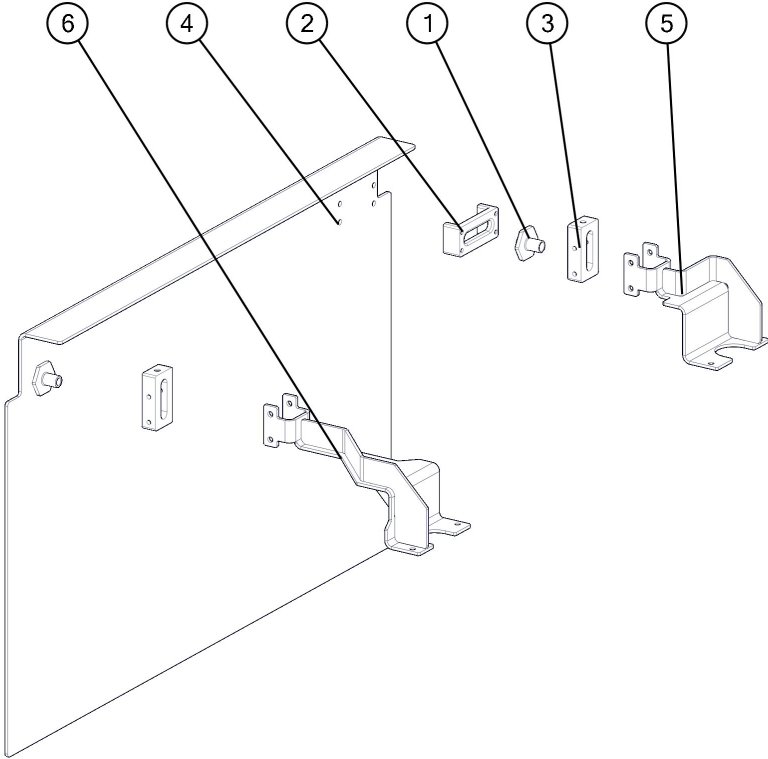
### 3.3 Left Hand End Gate



**Left Hand End Gate**

<b>BOM ID</b>	<b>Part Number</b>	<b>Description</b>	<b>Qty</b>
<b>1</b>	<b>020-0535</b>	<b>AUGER SONIC SENSOR LEFT</b>	<b>1</b>
<b>2</b>	<b>050-0342</b>	<b>S100 END GATE SHOE TENSION SPRING</b>	<b>1</b>
<b>3</b>	<b>111-104170</b>	<b>RACHET HANDLE SMALL</b>	<b>2</b>
<b>4</b>	<b>112-118351</b>	<b>WELDMENT ENDGATE BASE LH</b>	<b>1</b>
<b>5</b>	<b>112-118308</b>	<b>BRACKET SONIC SENSOR</b>	<b>1</b>
<b>6</b>	<b>113-302376</b>	<b>EXENSTION SHOE HEIGHT ADJUSTMENT SCREW</b>	<b>1</b>
<b>7</b>	<b>113-209468</b>	<b>SHOE ANGLE ADJUSTING TH'D ROD</b>	<b>1</b>
<b>8</b>	<b>112-209450</b>	<b>WELDMENT ENDGATE TOWER</b>	<b>1</b>
<b>9</b>	<b>112-209460</b>	<b>WELDMENT ENDGATE LH</b>	<b>1</b>
<b>10</b>	<b>113-209462</b>	<b>END GATE SLIDE NUT</b>	<b>1</b>
<b>11</b>	<b>030-0153</b>	<b>PIN 5/16</b>	<b>1</b>
<b>12 (Not Shown)</b>	<b>050-0350</b>	<b>CABLE SONIC SENSOR</b>	<b>1</b>

### 4.0 Pre Strike Off Plate



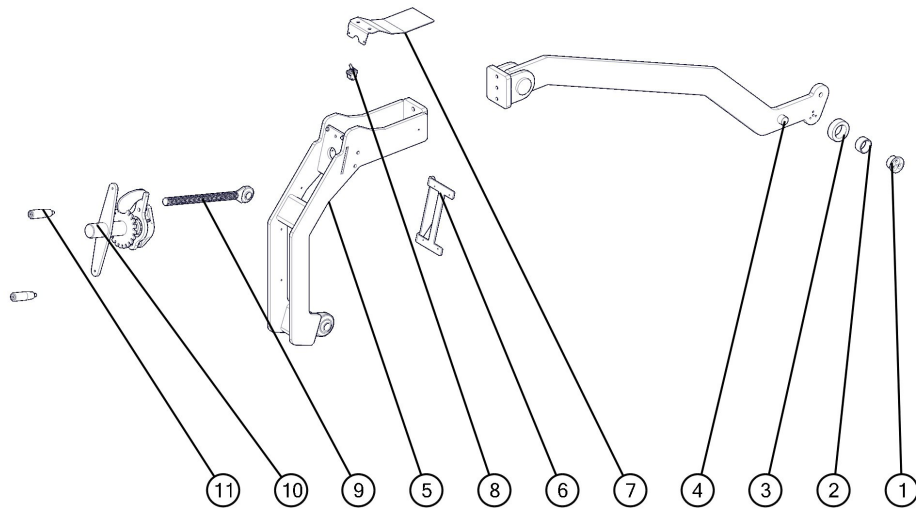
---

**Pre Strike Off Plate**

<b>BOM ID</b>	<b>Part Number</b>	<b>Part Description</b>	<b>Qty</b>
<b>1</b>	<b>113-118508</b>	<b>STRIKE-OFF PLATE STANDOFF PIVOT</b>	<b>1</b>
<b>2</b>	<b>113-118514</b>	<b>SLIDE PLATE HORIZONTAL</b>	<b>1</b>
<b>3</b>	<b>113-118516</b>	<b>STRIKE-OFF BLOCK HEIGHT ADJUSTMENT</b>	<b>2</b>
<b>4</b>	<b>112-118500</b>	<b>PRE STRIKE OFF PLATE</b>	<b>1</b>
<b>5</b>	<b>112-118554</b>	<b>STRIKE OFF MOUNT RH</b>	<b>1</b>
<b>6</b>	<b>112-118550</b>	<b>STRIKE OFF MOUNT LH</b>	<b>1</b>

## 5.0 Screed Arms

### 5.1 Right Hand Screed Arm





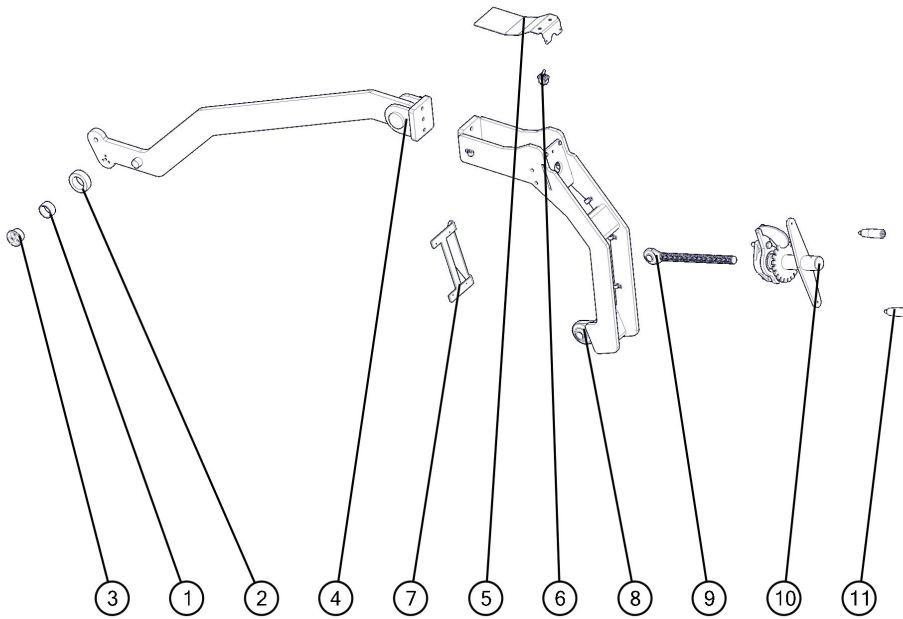
---

**Right Hand Screed Arm**

<b>BOM ID</b>	<b>Part Number</b>	<b>Description</b>	<b>Qty</b>
<b>1</b>	<b>113-118452</b>	<b>TOW POINT ROLLER AXLE</b>	<b>1</b>
<b>2</b>	<b>018-118400</b>	<b>TOW POINT BUSHING</b>	<b>1</b>
<b>3</b>	<b>113-118450</b>	<b>TOW POINT ROLLER</b>	<b>1</b>
<b>4</b>	<b>112-118410</b>	<b>TOW ARM FRONT RIGHT</b>	<b>1</b>
<b>5</b>	<b>112-118400</b>	<b>TOW ARM REAR RIGHT</b>	<b>1</b>
<b>6</b>	<b>113-118002</b>	<b>REMOTE CONTROL BOX MOUNT</b>	<b>1</b>
<b>7</b>	<b>113-118432</b>	<b>SWITCH PLATE TOW ARM</b>	<b>1</b>
<b>8</b>	<b>020-1058</b>	<b>SWITCH MATCH HEIGHT</b>	<b>1</b>
<b>9</b>	<b>112-100510</b>	<b>SCREED DEPTH HANDLE ROD WELDEMENT</b>	<b>1</b>
<b>10</b>	<b>112-118129</b>	<b>SCREED HANDLE ADJUSTMENT</b>	<b>1</b>
<b>11</b>	<b>113-100427</b>	<b>SPIN HANDLE ASSEMBLY</b>	<b>2</b>

---

## 5.2 Left Hand Screed Arm



---

**Left Hand Screed Arm**

<b>BOM ID</b>	<b>Part Number</b>	<b>Description</b>	<b>Qty</b>
<b>1</b>	<b>018-118400</b>	<b>TOW POINT BUSHING</b>	<b>1</b>
<b>2</b>	<b>113-118450</b>	<b>TOW POINT ROLLER</b>	<b>1</b>
<b>3</b>	<b>113-118452</b>	<b>TOW POINT ROLLER AXLE</b>	<b>1</b>
<b>4</b>	<b>112-118411</b>	<b>TOW ARM FRONT LEFT</b>	<b>1</b>
<b>5</b>	<b>113-118432</b>	<b>SWITCH PLATE TOW ARM</b>	<b>1</b>
<b>6</b>	<b>020-1058</b>	<b>SWITCH MATCH HEIGHT</b>	<b>1</b>
<b>7</b>	<b>113-118002</b>	<b>REMOTE CONTROL BOX MOUNT</b>	<b>1</b>
<b>8</b>	<b>112-118401</b>	<b>TOW ARM REAR WELDEMENT LEFT</b>	<b>1</b>
<b>9</b>	<b>112-100510</b>	<b>SCREED DEPTH HANDLE ROD WELDEMENT</b>	<b>1</b>
<b>10</b>	<b>112-118129</b>	<b>SCREED HANDLE ADJUSTMENT</b>	<b>1</b>
<b>11</b>	<b>113-100427</b>	<b>HANDLE ASSEMBLY</b>	<b>2</b>



**CALDER BROTHERS CORPORATION**  
**(LIMITED) PRODUCT WARRANTY**

Calder Brothers Corporation warrants that the Paver, Roller, Tank or Grader under this program will be free from defects in material and workmanship for a period of (12) twelve months from the date of installation. Written notice of any claimed defect must be given to Calder Brothers Corporation within the warranty period and within (30) thirty days after such defect is discovered. Liability under this warranty is limited to replacing or repairing at Calder Brothers Corporation election, any part or parts deemed defective after examination by Calder Brothers Corporation or an Authorized Service Representative via prepaid transportation for which is found to be defective, will be repaired or replaced and returned to the customer via prepaid surface transportation within the United States. Should any part be found not defective, inspection and handling may be charged to the customer by Mauldin or an Authorized Service Representative.

**EXCLUSIONS:**

This warranty does not apply to routine wearable parts of the Mauldin machine such as seals, points, plugs, hoses or similar items. This warranty does not extend to any machine or part replaced or repaired under this warranty. This warranty does not cover any repair or replacement labor or any part of parts found defective after examination by Mauldin or an Authorized Service Representative. This warranty does not apply to defects caused by casualty or unreasonable use, including faulty repairs by others and failure to provide reasonable and necessary maintenance.

THIS WARRANTY SET FORTH HEREIN IS IN LIEU OF AND EXCLUDES ANY AND ALL OTHER WARRANTIES, EXPRESSED OR IMPLIED, ARISING BY OPERATION OF LAW OR OTHERWISE, INCLUDING, BUT NOT LIMITED TO, ANY IMPLIED WARRANTY OF MERCHANTABILITY OR FITNESS FOR A PARTICULAR PURPOSE, AND CUSTOMER WAIVES ANY OBLIGATION OF LIABILITY OF MAULDIN ARISING IN TORT OR STRICT LIABILITY IN TORT, OR FOR LOSS OR USE, REVENUE OR PROFIT WITH RESPECT TO MAULDIN MACHINE AND/OR PARTS FOR ANY LIABILITY OF CUSTOMER TO ANY THIRD PARTY, OR FOR OTHER DIRECT, INCIDENTAL OR CONSEQUENTIAL DAMAGES.

**I have read and fully understand the warranty policy above.**

\_\_\_\_\_  
Customer  
CALDER BROTHERS CORPORATION

\_\_\_\_\_  
Witness