



Parts Manual

Model: PS2000

Covers Serial Number Range:

339-P-P2N--S-D03339 through _____

Sold & Serviced By:

Contents

Quick Order Page1

Material Tank.....3

Clean Out System Tank.....5

Wet Storage Box.....7

Hydraulic Tank9

Solvent Tank.....11

Fenders.....13

Asphalt Pump Station.....15

Asphalt Pump & Clean Out Box (SN# 339-023)17

Asphalt Pump & Clean Out Box19

Spray Bar21

Spray Nozzle Assembly.....23

Spray Bar Ext Motor Assembly25

Spray Bar Raise Lower Assembly (SN# 339-023)27

Spray Bar Raise Lower Assembly.....29

In Cab Control Box31

Rear Control Box33

Wash Down Hand Spray35

Hydraulic Pump (SN 339-023)37

Hydraulic Pump (SN 062+)39

Electric Schematics41

Warranty49

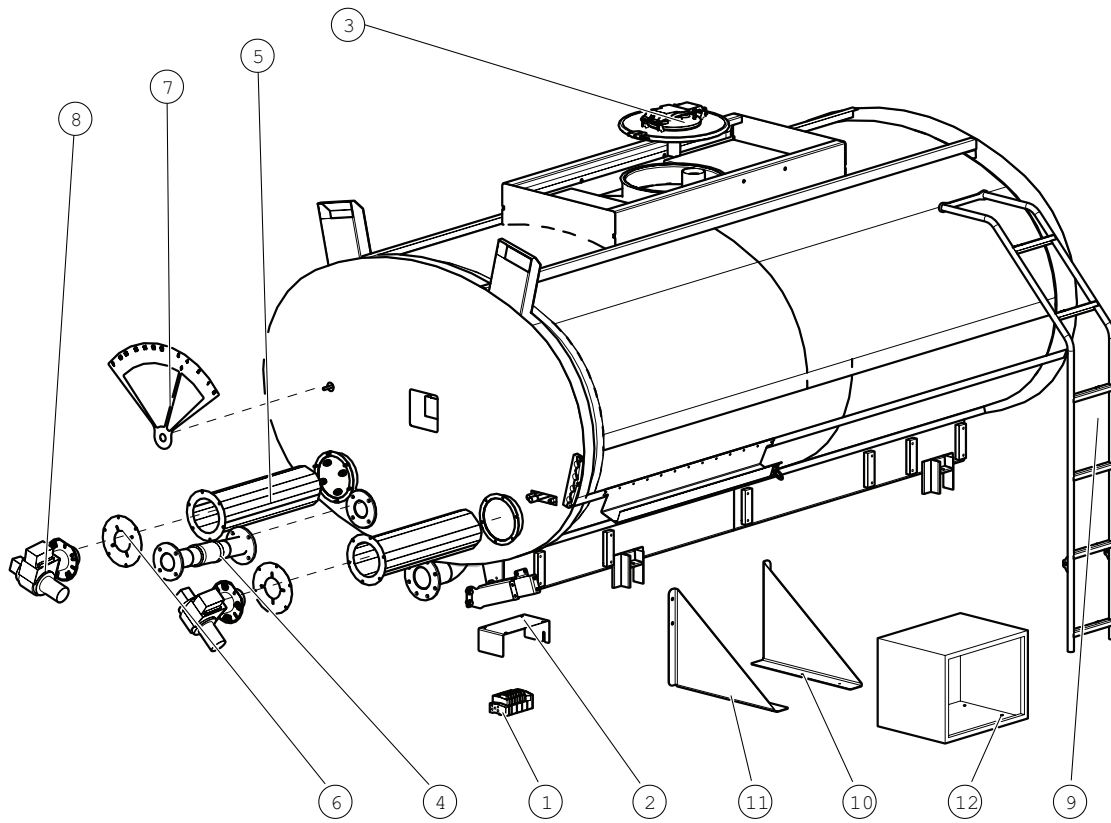
Quick Order Page

No Exploded View Available

Quick Order Page

BOM ID	Part Number	Description
1	123503-1	Nozzle Assembly w/ I bracket
2	123503	Nozzle Assembly w/ V bracket
3	124400	Spray valve body
4	123494	Spray valve gasket
5	123582	Spray valve poppet
6	123555	Spray valve nut
7	123484	Nozzle #1 Stamped: 95/50
8	123484-0	Nozzle #0 Stamped:95/30
9	123484-1	Nozzle #00 Stamped:95/15
10	123484-15	Nozzle #1.5 Stamped: 95/60
11	123484-2	Nozzle #2 Stamped: 95/80
12	123484-3	Nozzle #3 Stamped: 95/100
13	123484-4	Nozzle #4 Stamped: 40/15
14	020-0740	Spray bar Position Sensor
15	013-0108	Asphalt pump motor PPU
16	123485	Valve, 2 way 3" valve
17	124452	Valve, 2 way 4" valve
18	123486	Valve 3 way
19	124448	Gasket 4"
20	123327	Gasket 3"
21	123-123745	Gasket Asphalt pump (square)
22	017-0203-4BNC	Norgren 4 station air valve assembly
23	017-0203V	Norgren 4 station individual valve section
24	017-0203-9C	Norgren 4 state cable
25	017-0204	Norgren 7 station air valve assembly
26	017-0204V	Norgren 7 station individual valve section
27	017-0204-15C	Norgren 7 station cable
28	123480	Dial Thermometer
29	123599	Spray bar spring trigger
30	130320	Burner assembly complete
31	011-0253-2	Asphalt pump gasket (internal)
32	123557	Nozzle wrench
33	123715	Burner Thermostat
34	020-0036	Mercury Switch
35	124439-1	3" cam lock Cap
36	123465	Valve air actuator large
37	123711	Valve air actuator small

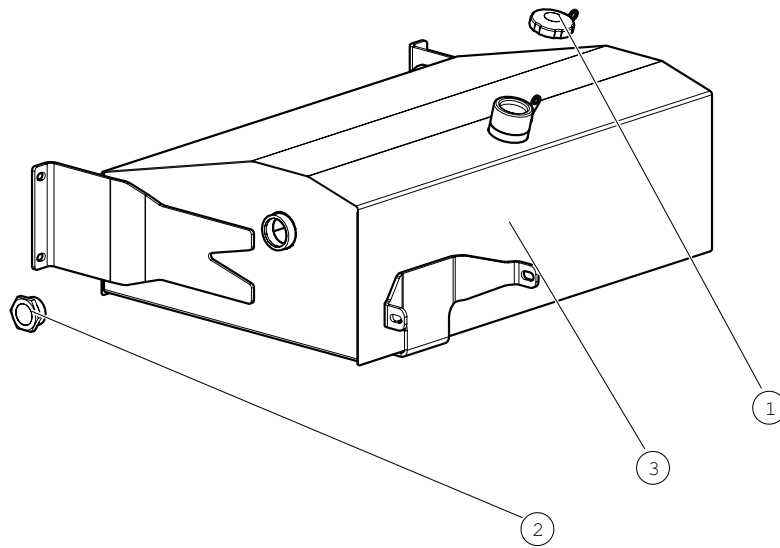
Material Tank



Material Tank

BOM ID	Part Number	Description	Qty
1	017-0204	7 Station Air Valve Bank	1
2	123-308704	Air Valve Cover Box	1
3	123305	Man Cover Assembly	1
4	123472	Hose 3.0in Steel Flex	1
5	122-123380	Flue Tube	2
6	123-308056	Mounting Plate Diesel Burner	2
7	123-123378G	Gauge Rear 2000 Gallon	1
8	130320	Diesel Burner	2
9	122-123902	Ladder Weldment	1
10	123-308410	Tool Box Mount RH	1
11	123-308411	Tool Box Mount LH	1
12	050-0780	Tool Box	1
13 (Not Shown)	020-0036	Mercury Switch	1

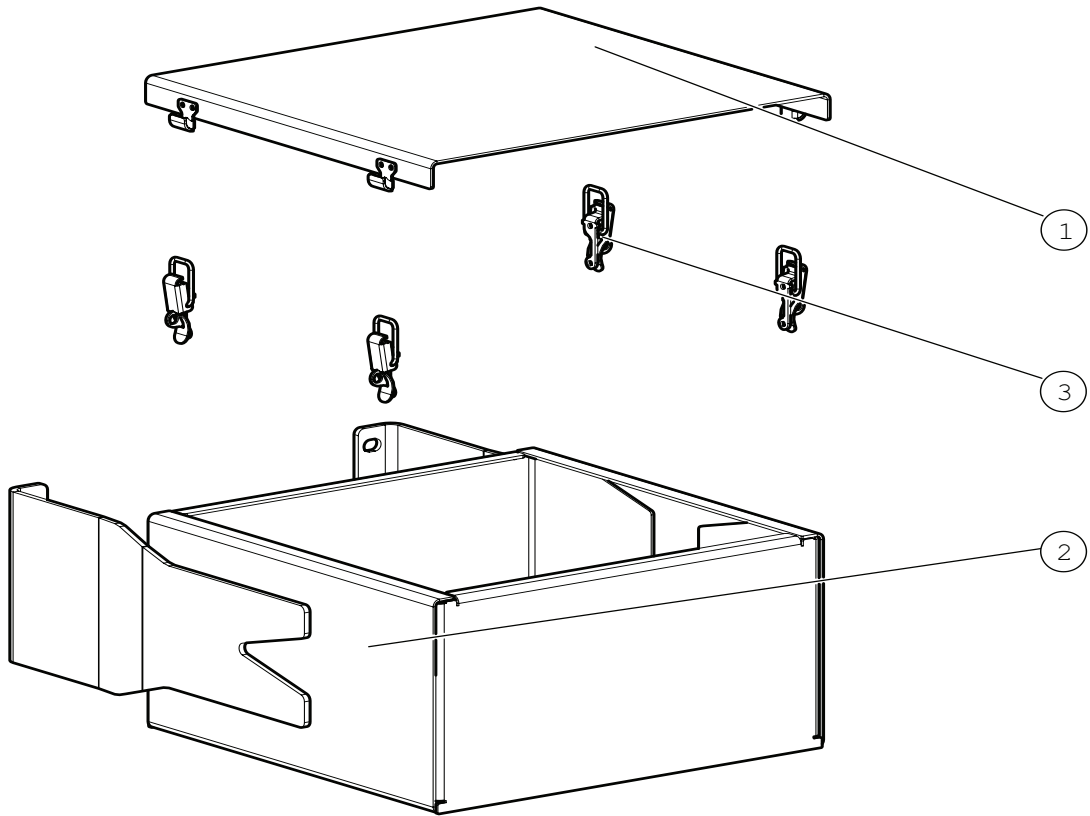
Clean Out System Tank



Clean Out System Tank

BOM ID	Part Number	Description	Qty
1	050-0522	Cap Locking Washdown	1
2	060-0066	Sight Gauge Window	1
3	122-308120	Tank Solvent Weldment	1

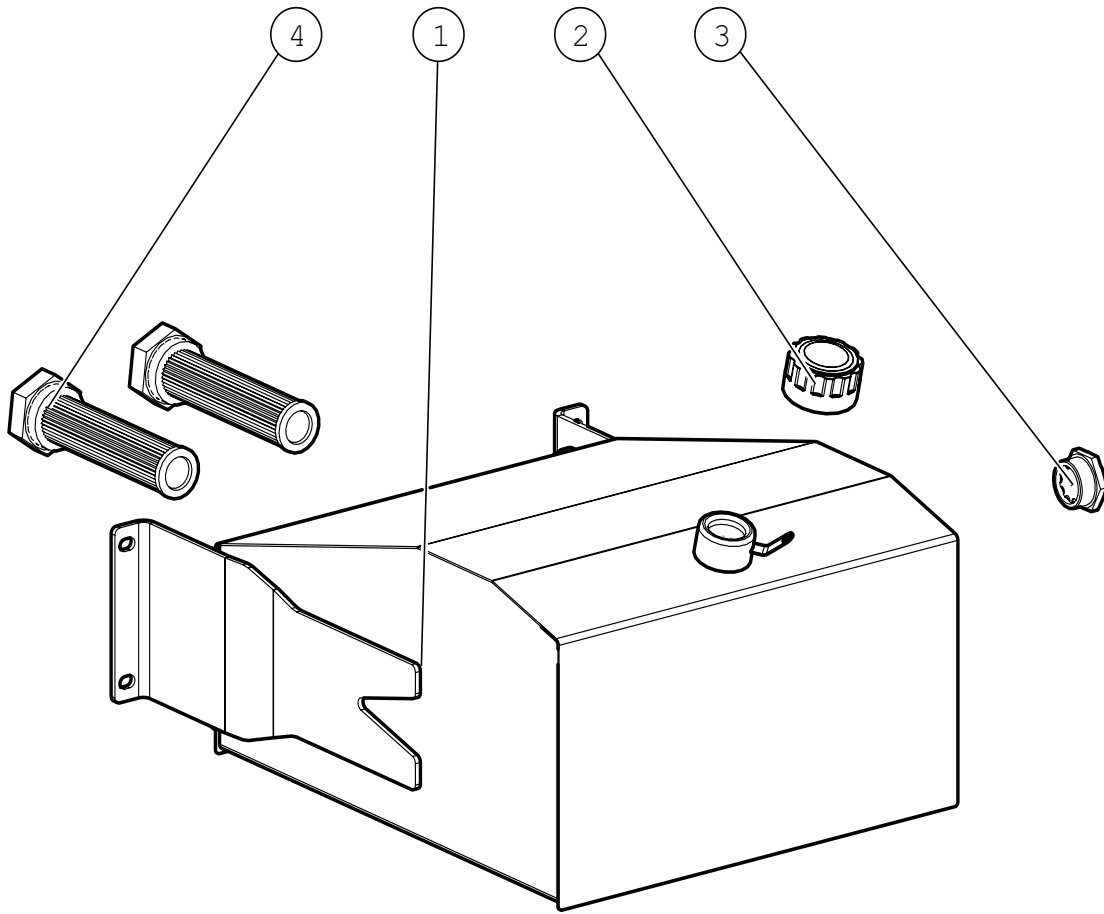
Wet Storage Box



Wet Storage Box

BOM ID	Part Number	Description	Qty
1	122-308156	122-308156	1
2	122-308150	Tank Wet Storage Weldment	1
3	47123	Latch Pull Lock	4

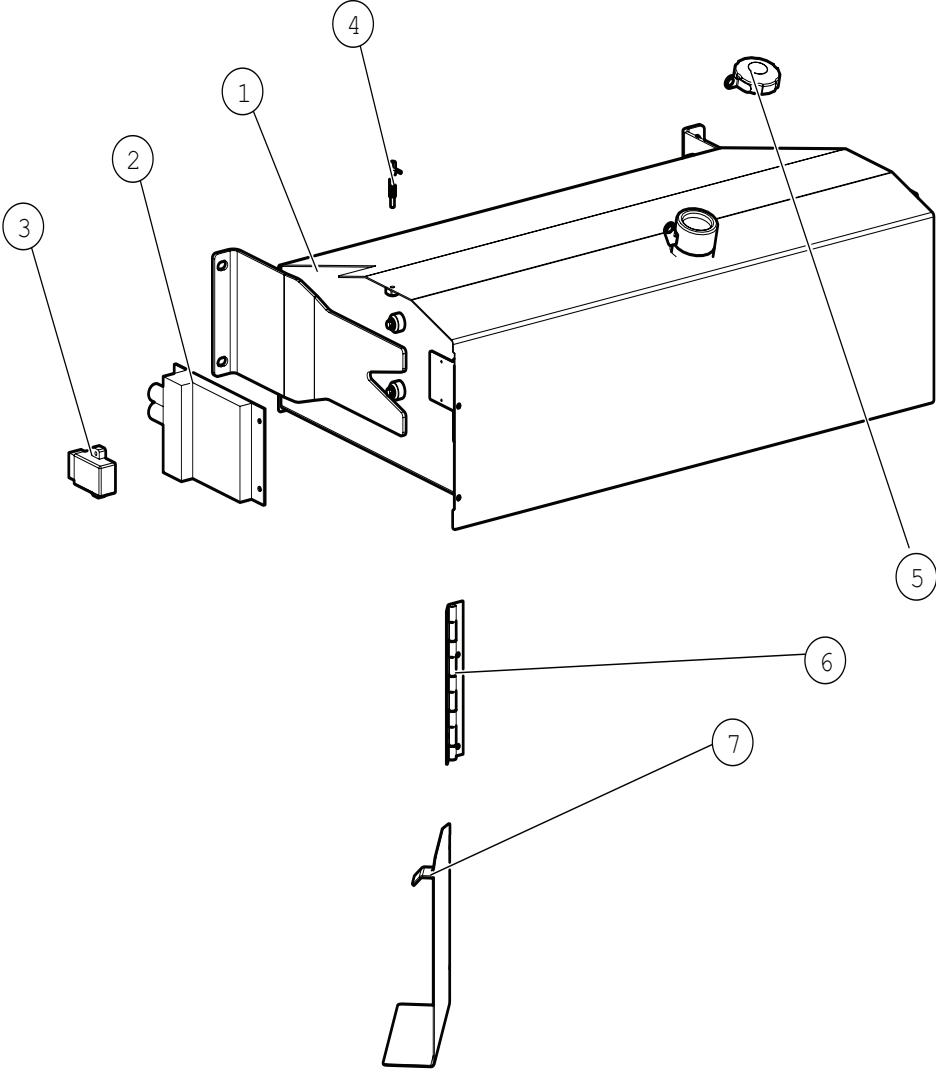
Hydraulic Tank



Hydraulic Tank

BOM ID	Part Number	Description	Qty
1	122-308140	Tank Weldment Hydraulic	1
2	060-0069	Cap Hydraulic	1
3	060-0066	Sight Gauge	1
4	021-0186	Strainer	2

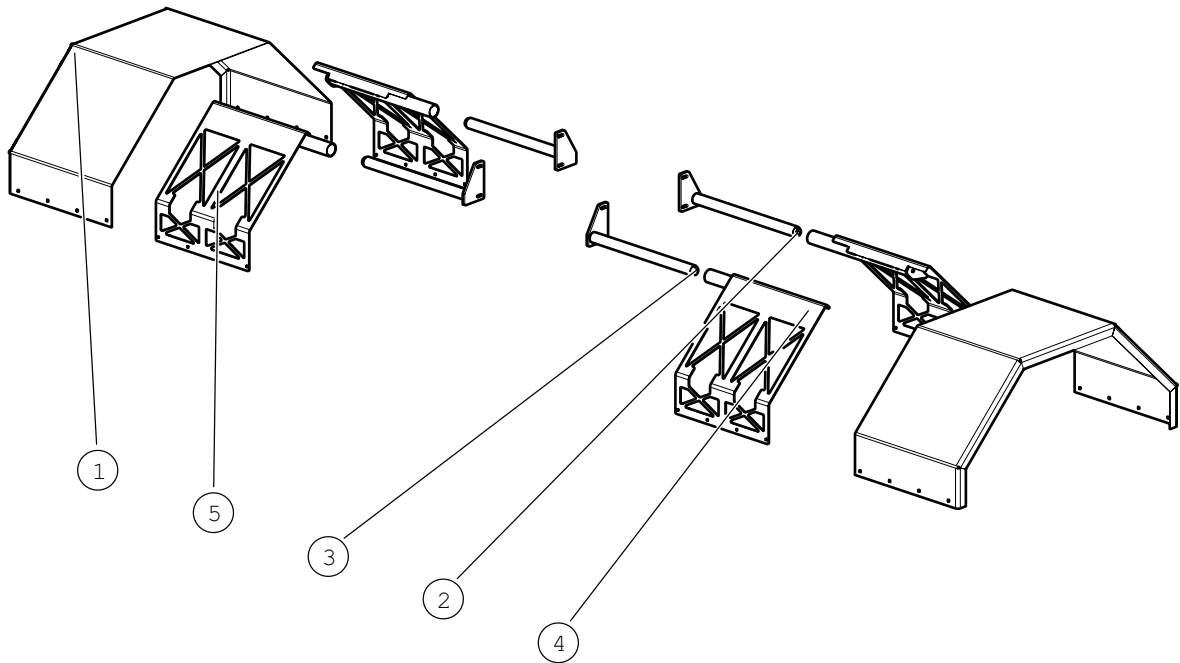
Solvent Tank



Solvent Tank

BOM ID	Part Number	Description	Qty
1	122-308130	Tank Weldment Diesel Burner	1
2	020-0716	Power Distribution Module	1
3	020-0717	Current Control Module	1
4	030-0522	Locking Pin Plunger	1
5	050-0522	Cap Fuel Locking	1
6	123-308168	Hindge Access Door	1
7	122-308170	Access Door	1

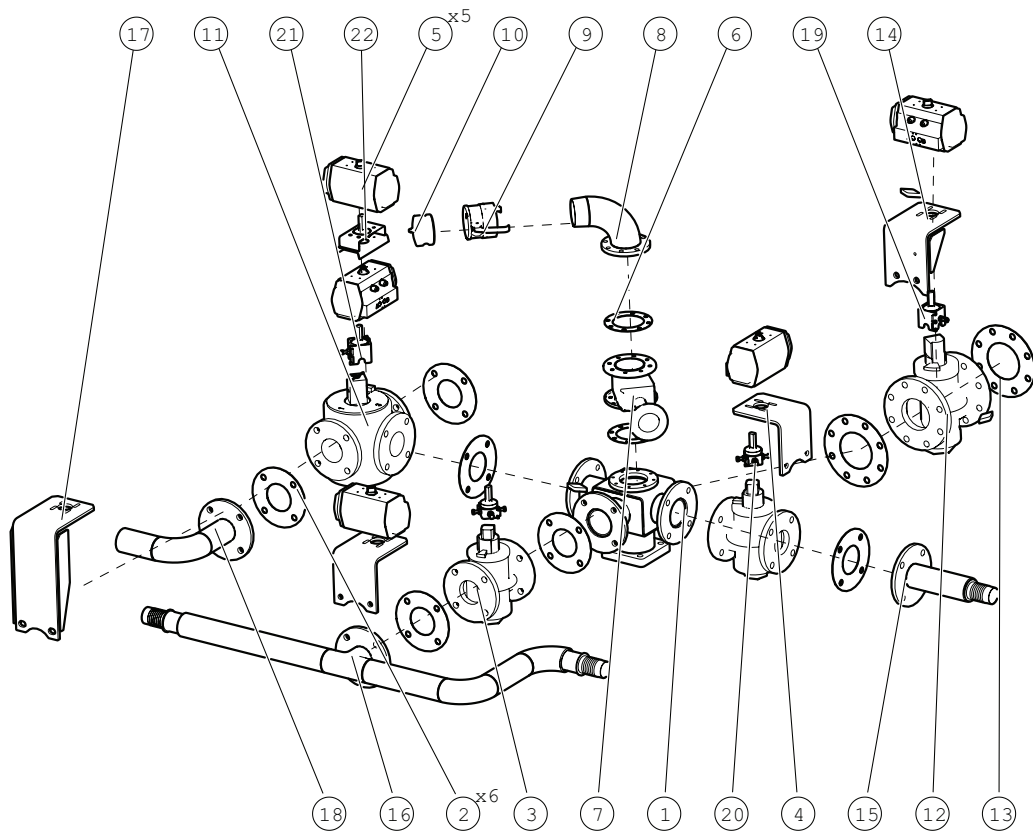
Fenders



Fenders

BOM ID	Part Number	Description	Qty
1	124375	Fender Single Axle	2
2	122-308230	Fender Bracket Right	2
3	122-308231	Fender Bracket Left	2
4	122-308235	Fender Support Left	2
5	122-308234	Fender Support Right	2

Asphalt Pump Station

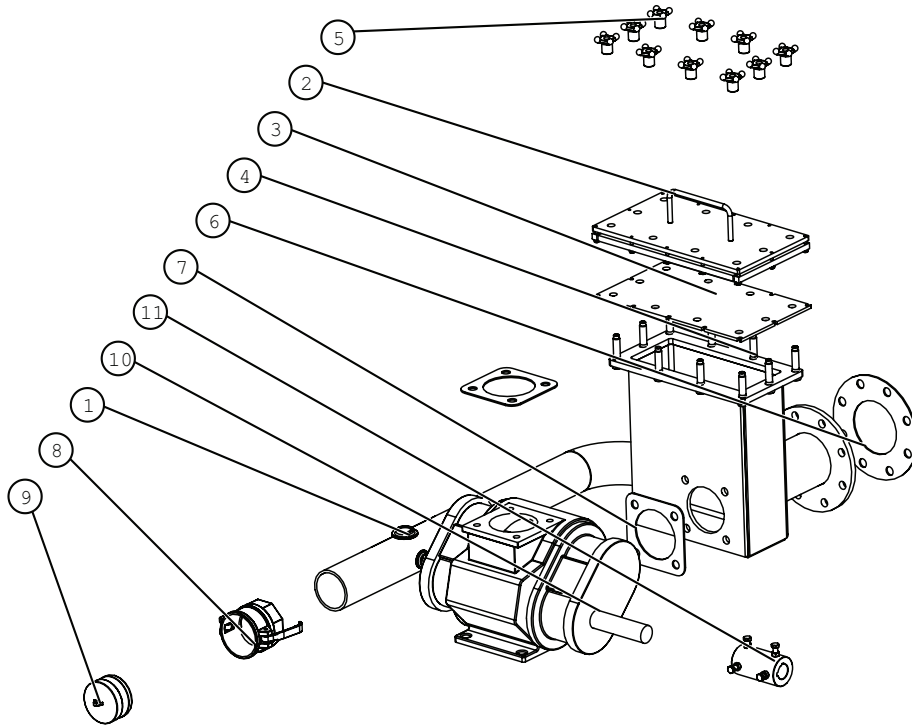


Asphalt Pump Station

BOM ID	Part Number	Description	Qty
1	122-125430	Junction Box Weldment	1
2	123327	Gasket 3.0in 4 Hole	6
3	123485	Valve 3.0in 2 Way	2
4	123-123644	Air Actuator Bracket	2
5	123465	Actuator Air	5
6	123401	Gasket 3.0in 8 hole	2
7	123408	Gate Valve	1
8	122-125366	Elbo weldment	1
9	124438	Coupler 3.0in Cam-Lock	1
10	124439-1	Plug 3.0in Cam Lock Aluminum	1
11	123486	Valve 3in 3 way	1
12	124452	Valve 2 Way 4.0in	1
13	124448	Gasket 4.0in 8 Hole	2
14	122-123655	Actuator Bracket Weldment	1
15	122-125413	Nipple Weldment	1
16	122-125414	Tee Weldment	1
17	122-125420	Actuator Bracket Weldment	1
18	122-125416	Elbo Weldment	1
19	122-123620	Adapter 4in 2 Way Valve	1
20	122-123618	Adapter Air Actuator to 3in Valve	2
21	122-123619	Adapter Air Actuator to 3in 3 way Valve	1
22	122-123X	Adapter Air Actuator to Air Actuator	1
23 (Not Shown)	020-0719	Temperature Sensor	1

Asphalt Pump & Clean Out Box (SN# 339-023)

SN 339-P-P2N--S--03339 through 023-Y-P2N--S---05023

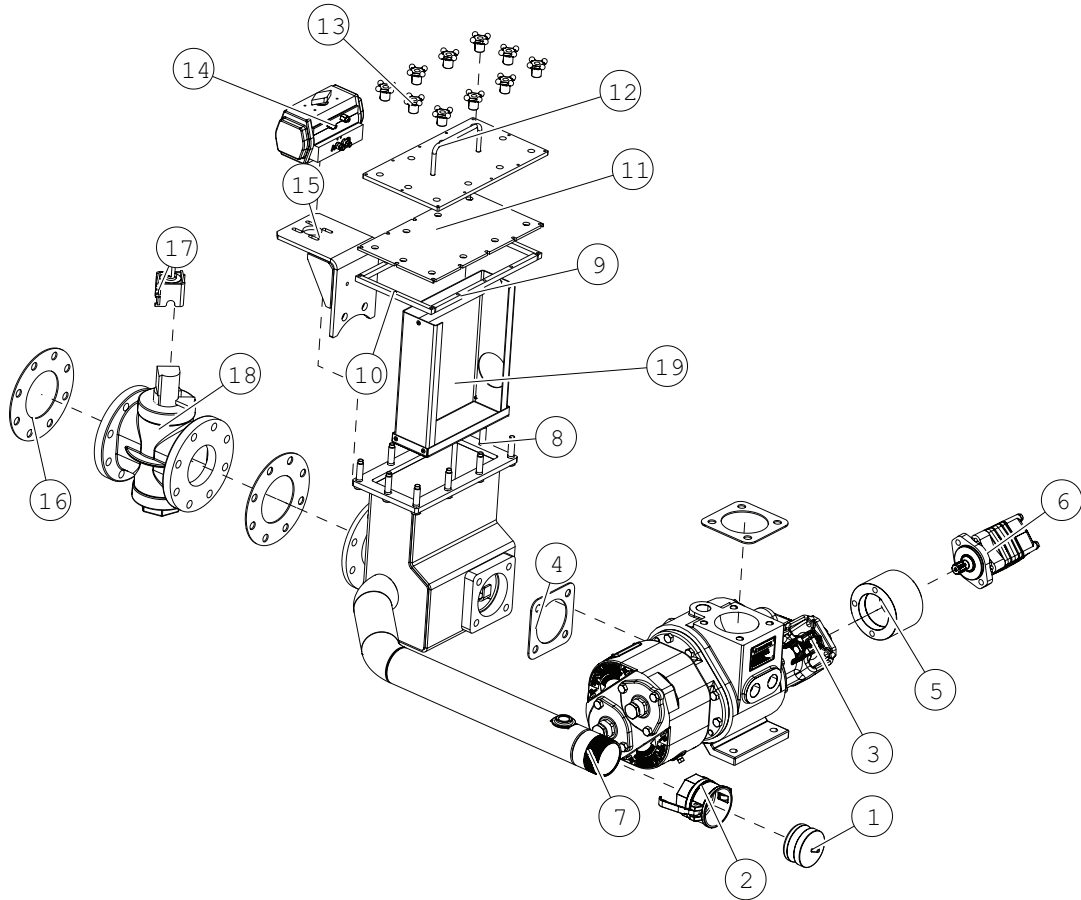


Asphalt Pump & Clean Out Box

BOM ID	Part Number	Description	Qty
1	121-125401	Cleanout Box Weldment	1
2	122-125407	Strainer Box Lid	1
3	022-125405	Gasket Cleanout Box	1
4	030-0428	Stud Threaded Press in	10
5	123-308200	Strainer Box Nuts	10
6	124448	Gasket 4.0in 8 Hole	1
7	123-123745	Gasket Square 4 Bolt	2
8	124438	Coupler 3.0in Cam-Lock	1
9	124439-1	Plug 3.0in Cam Lock Aluminum	1
10	123477-P	Asphalt Pump	1
11	123-125422	Pump Shaft Coupling	1
12 (Not Shown)	013-0107	Hydraulic Motor Asphalt Pump	1
13 (Not Shown)	013-0108	Sensor Asphalt Motor	1
14 (Not Shown)	123711	Air Actuator Material Relief Valve	1
15 (Not Shown)	123713-1	Solenoid Valve	1
16 (Not Shown)	019-0019	Elbow Street 3/4"	1
17 (Not Shown)	019-0030	Tee 1/2" NPT	1
18 (Not Shown)	017-0043	Valve Ball 1/2" NPT	1

Asphalt Pump & Clean Out Box

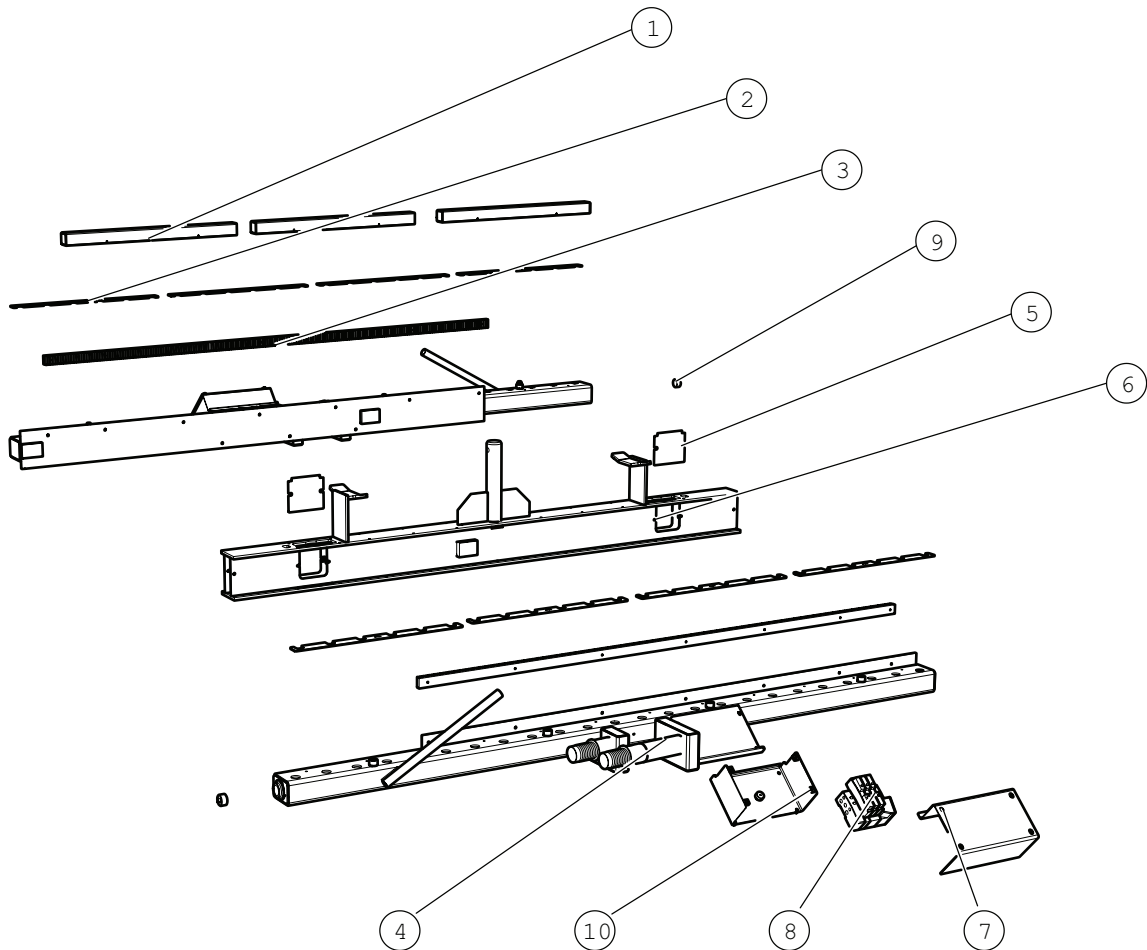
SN 062-Y-P2N to Current



Asphalt Pump & Clean Out Box

BOM ID	PART NUMBER	DESCRIPTION	Qty
1	014-124439	3" MALE CAM & GROOVE PLUG	1
2	014-124438	3" CAM & GROVE FEMALE-3" NPT ADAPTOR	1
3	011-0287	ASPHALT PUMP	1
4	022-123745	SQUARE FLANGE, 4 HOLE, PAPER GASKET	2
5	011-425406	MOTOR ADAPTER	1
6	013-0107	MOTOR HYD	1
6.1	013-0108	SENSOR HYD MOTOR	1
7	122-425401	PUMP INLET STRAINER BOX WELDMENT	1
8	030-0428	WHEEL STUD	9
9	123-125434	LID GASKET RETAINING BAR, LONG	2
10	123-125435	LID GASKET RETAINING BAR, SHORT	2
11	022-109028	STRAINER BOX LID GASKET	1
12	122-125407	STRAINER BOX ACCESS COVER WELDEMENT	1
13	123-308200	LID RETAINING KNOB	10
14	123465	ACTUATOR AIR LARGE	1
15	122-123655	4" VALVE OPERATOR MOUNT WELDEMENT	1
16	022-124448	4" FLANGE, 8 BOLT, PAPER GASKET	2
17	122-123619	VALVE OPERATOR ADAPTOR, LARGE	1
18	124452	4" FLANGE, 2-WAY, CAST IRON PLUG VALVE	1
19	121-308202	STRAINER BASKET ASSEMBLY	1

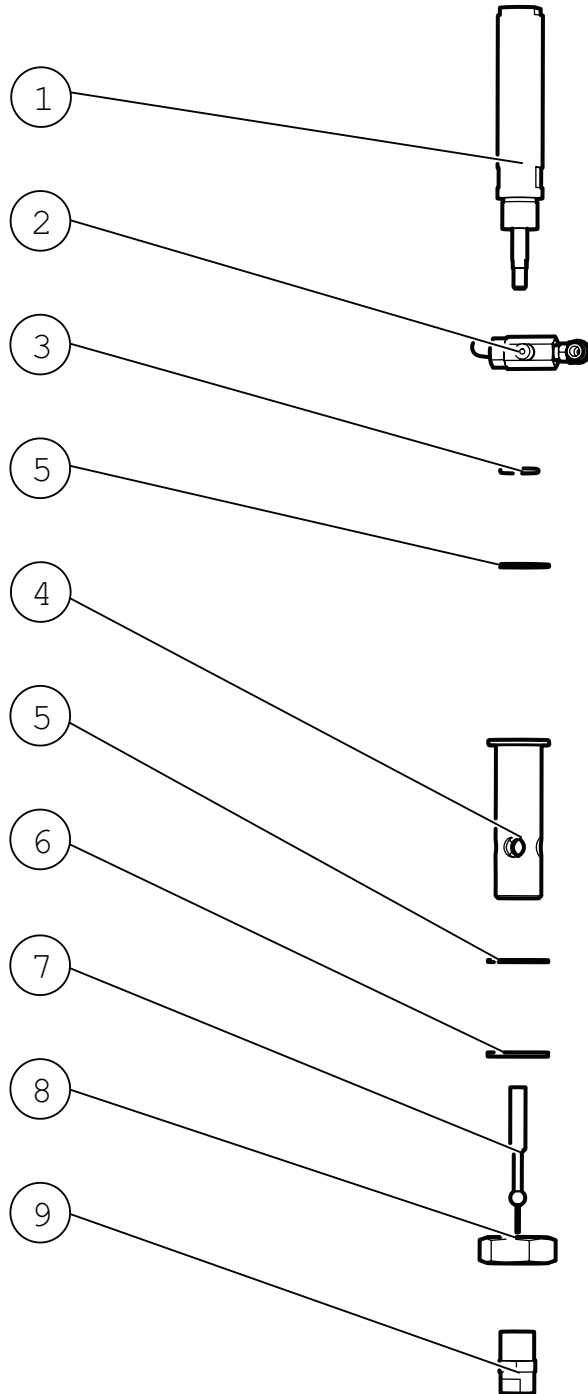
Spray Bar



Spray Bar

BOM ID	Part Number	Description	Qty
1	122-124714	Air Valve Acumulator	3
2	123-123516	Air Cylinder Guide Plate	8
3	123542	Gear Rack	2
4	122-123510	Weldment Spray Bar Extensions	2
5	123-308814	Spray Bar Access Plate	2
6	122-123502	Weldment Spray Bar Center	1
7	123-308304	Air Valve Cover Plate	2
8	017-0203	Valve Bank 4 Station Pneumatic	2
9	019-0006	Plug Spray Bar End Cap	2
10	122-308298	Air Valve Box Base	2
11 (Not Shown)	123599	Spray Bar Nozzle Trigger	2
12 (Not Shown)	123-123595	Spray Bar Trigger Mount	2

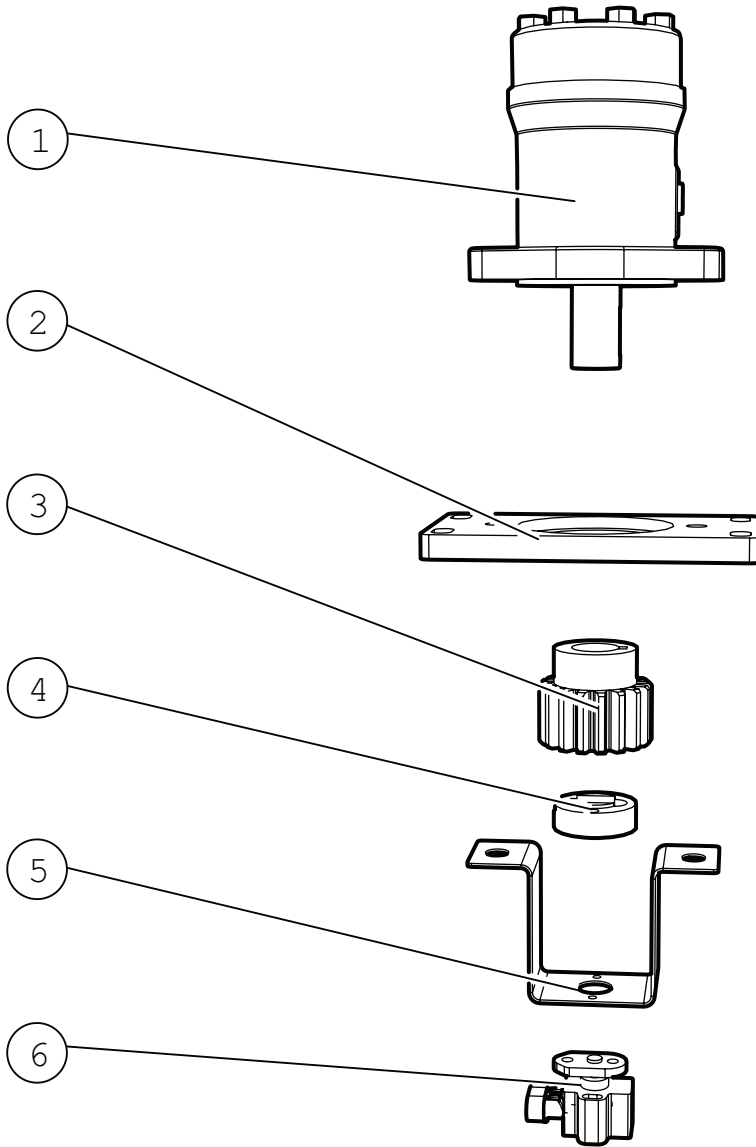
Spray Nozzle Assembly



Spray Nozzle Assembly

BOM ID	Part Number	Description	Qty
1	124400	Air Cylinder	48
2	123490	Valve 2 way Bar Lever	24
	123491	Valve 2 way V Lever	24
3	022-0122	O-ring Spray Air Cylinder	48
4	123581	Spray Body	48
5	123494	Gasket Spray Valve Assembly	96
6	123492	Washer 1.5 OD 1.187ID	48
7	123582	Poppet Spay Valve includes pin	48
8	123555	Nut	48
9	123484	Nozzle #1 95/50	48
	123484-1	Nozzle #00 95/15	
10 (Not Shown)	014-0438	Fitting Tee Push Lok 1/4in	
11 (Not Shown)	014-0437	Fitting Elbow Push Lok 1/4in x 1/8npt	
12 (Not Shown)	014-0440	Hose 1/4in Push Lok	

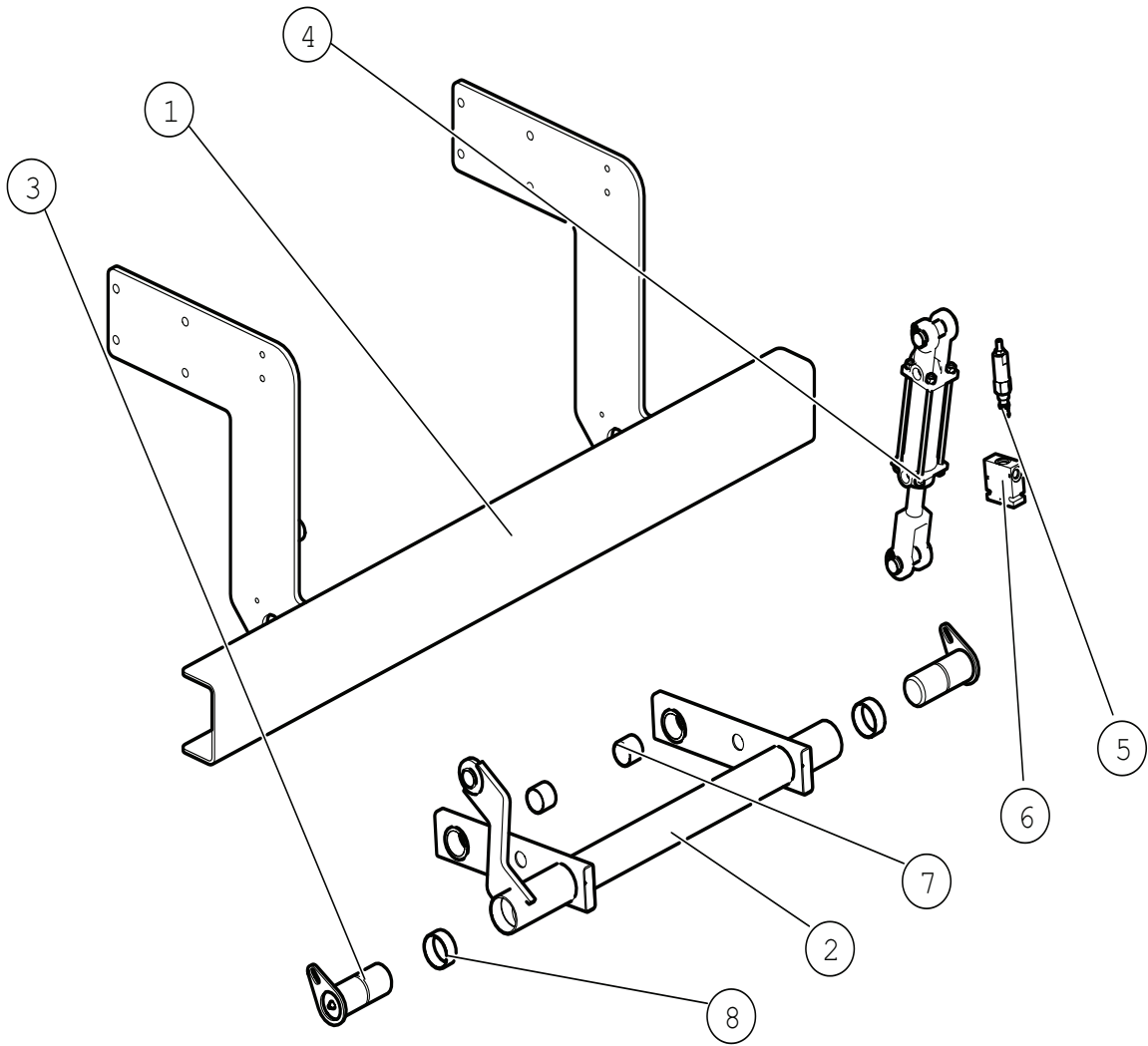
Spray Bar Ext Motor Assembly



Place Holder

BOM ID	Part Number	Description	Qty
1	124404	Motor Hydraulic Bar In/Out	1
2	123-123559	Mounting Plate Hydraulic Motor Bar In/Out	1
3	123487-1	Gear Pinion Spray Rail	1
4	123-308810	Adapter Bar In/Out Sensor	1
5	123-308812	Bracket Sensor Bar In/Out	1
6	020-0740	Spray Bar Position Sensor	1

Spray Bar Raise Lower Assembly (SN# 339-023)

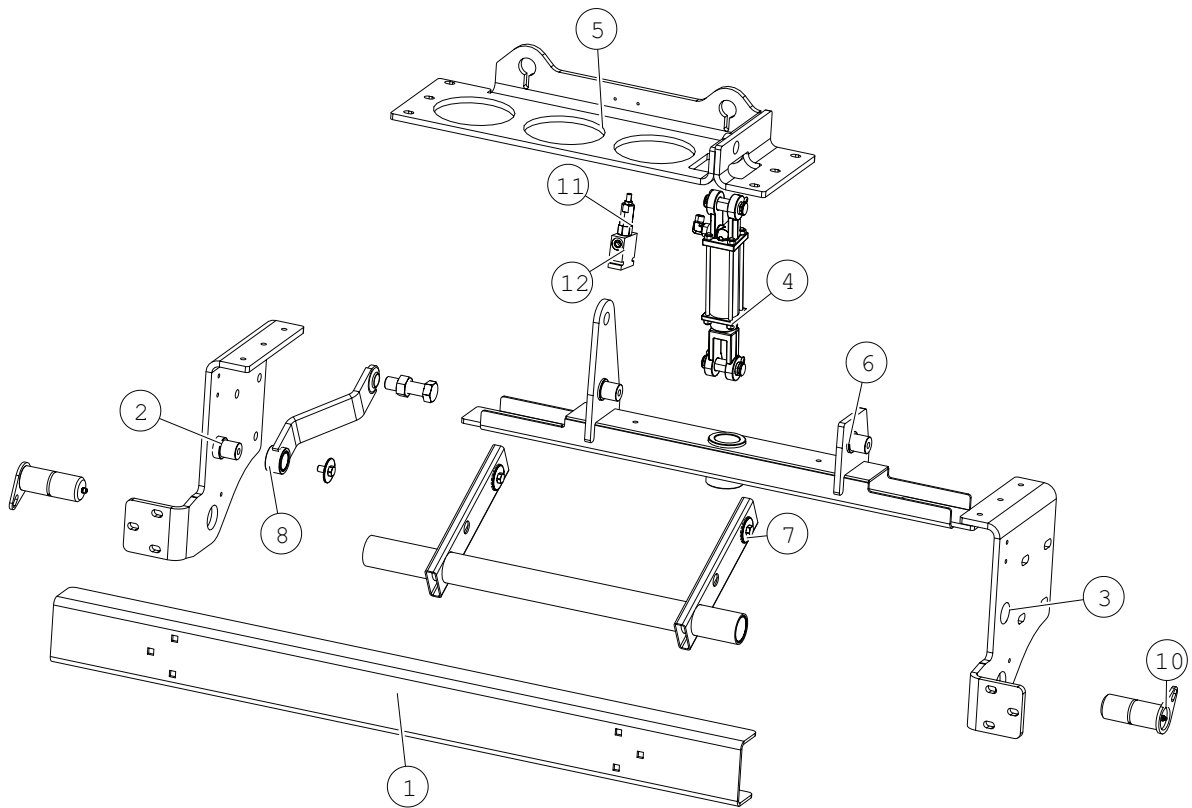


Bar Raise Lower

BOM ID	Part Number	Description	Quantity
1	122-308530	Rear Bumper Weldment	1
2	121-308532	Spray Bar Lift Arm	1
3	101-104950	Pin 2in x 5in	2
4	012-0071	Cylinder Hydraulic 2 x 4	1
5	017-0198	Cartridge Valve	1
6	017-0241	Valve Body	1
7	018-0120	Brass Bushing 1 3/8 x 1 1/4	2
8	018-0104	Brass Bushing 2 x 7/8	2

Spray Bar Raise Lower Assembly

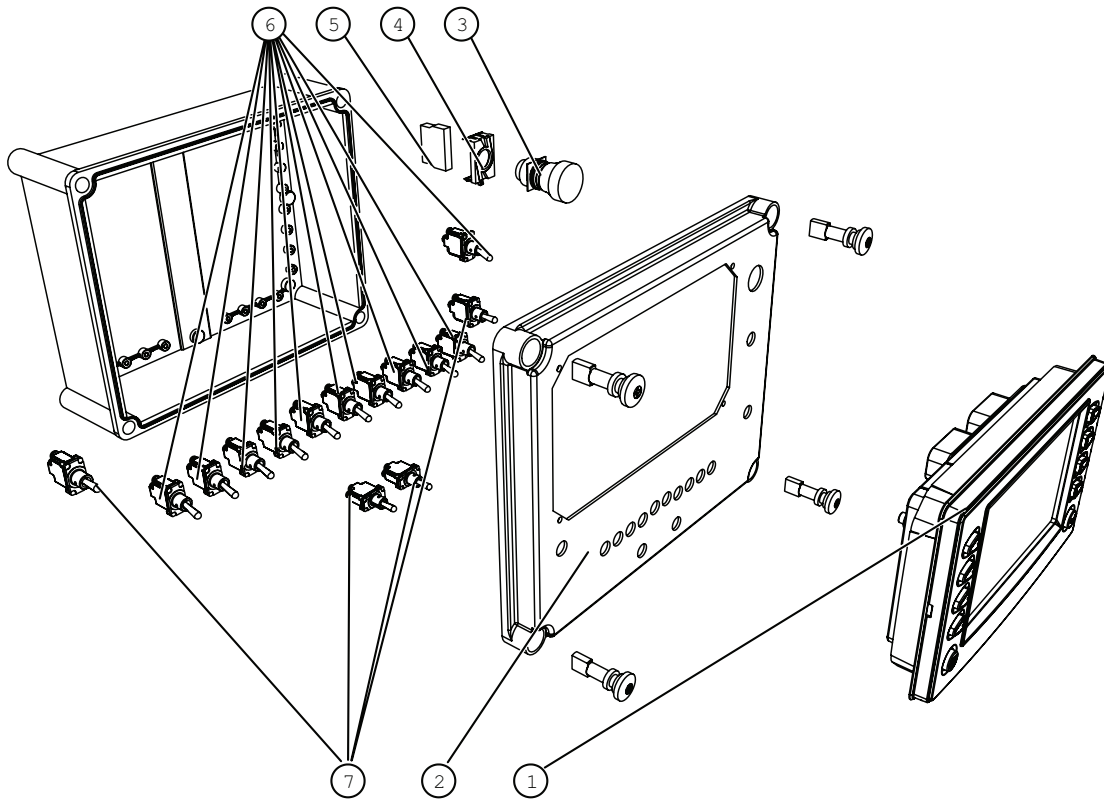
SN 062-Y-P2N to Current



Spray Bar Raise Lower

BOM ID	PART NUMBER	DESCRIPTION	Qty
1	123-425151	REAR BUMPER PLATE	1
2	122-425530	SPRAY BAR MOUNT & BUMPER SIDE PANEL	1
3	123-425531	SPRAY BAR MOUNT & BUMPER SIDE PANEL	1
4	012-0071	CYLINDER HYD RAISE LOWER	1
5	122-425324	BAR LIFT CYLINDER MOUNTING BRACKET	1
6	122-308540	BREAK AWAY BEAM WELDMENT	1
7	122-308532	RAISE LOWER PIVOT WELDMENT	1
8	122-308536	RAISE LOWER STABILIZER ARM	1
10	102-104950	PIN WELDMENT	2
11	017-0198	BODY COUNTER BALANCE	1
12	017-0166	VALVE CARTRIDGE COUNTER BALANCE	1

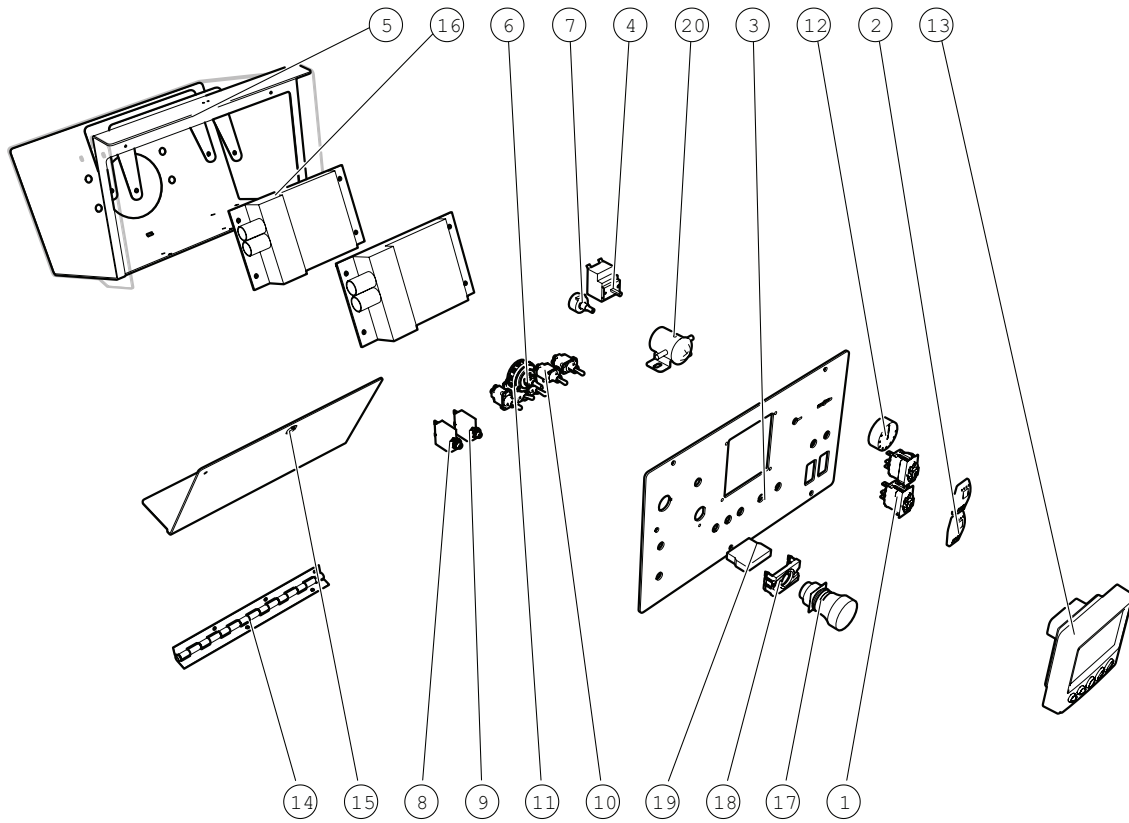
In Cab Control Box



In Cab Control Box

BOM ID	Part Number	Description	Qty
1	020-0713	LCD Display	1
2	122-308700	Control Box Enclosure	1
3	123714	E Stop Button	1
4	123714-1	E Stop Coupling	1
5	123714-2	E Stop Contacts	1
6	020-0405	Toggle Switch - Spray Sections Master On	11
7	020-0395	Toggle Switch - Bar Extension Bar Lift Spray	4
8 (Not Shown)	020-0715	Input Module	1
9 (Not Shown)	020-0726	USB Port	1
10 (Not Shown)	020-0727	USB Port Cap	1
11 (Not Shown)	020-0718	Terminating Resistor	1

Rear Control Box



Rear Control Box

BOM ID	Part Number	Description	Qty
1	020-0236	Switch Rocker Base	2
2	020-0236A	Switch Rocker Lever	2
3	123-308716	Control Panel Plate	1
4	123715	Thermostat 450 Degree	1
5	122-308708	Rear Control Box Weldment	1
6	124417-1	Switch Rotary Model Selector	1
7	124420	Potentiometer Pump Speed	1
8	E0128-2	Circuit Break 5 Amp	1
9	E0128-3	Circuit Breaker 25 Amp	1
10	020-0395	Switch Toggle Master/Bar Lift/ Bar Extend & Retract	4
11	020-0423	Switch Toggle Clean Out	1
12	123715A	Knob Thermostat	1
13	020-0905	Screen Display Rear	1
14	123-308718	Hinge Stainless	1
15	123-308722	Door Cover Rear Control Box	1
16	020-0716	Power Control Module	2
17	123714	Button E Stop	1
18	123714-1	E Stop Coupler	1
19	123714-2	E Stop Contacts	1
20	020-0001	Relay Master	1
21 (Not Shown)	020-0727	USB Cap	1
22 (Not Shown)	124418	Knob Rotary Switch	1
23 (Not Shown)	124421	Knob Potentiometer	1
24 (Not Shown)	020-0410	Horn	1
25 (Not Shown)	020-0726	USB Port	1

Wash Down Hand Spray

No Exploded View Available

Wash Down Hand Spray

BOM ID	Part Number	Description	Quantity
1	123930	Wash Down Hand Spray	1
2	123-139341	Burner Filter Mount	1
3	123464-2	Burner Filter Head	1
4	123464-1	Burner Filter	1
5	122462	3/8 Ball Valve	1
6	124402	Air Water Seperator	1
7	030-0534	Grease Fitting	2
8	123997	Inline Check Valve	2

Hydraulic Pump (SN 339-023)

No Exploded View Available

Hydraulic Pump

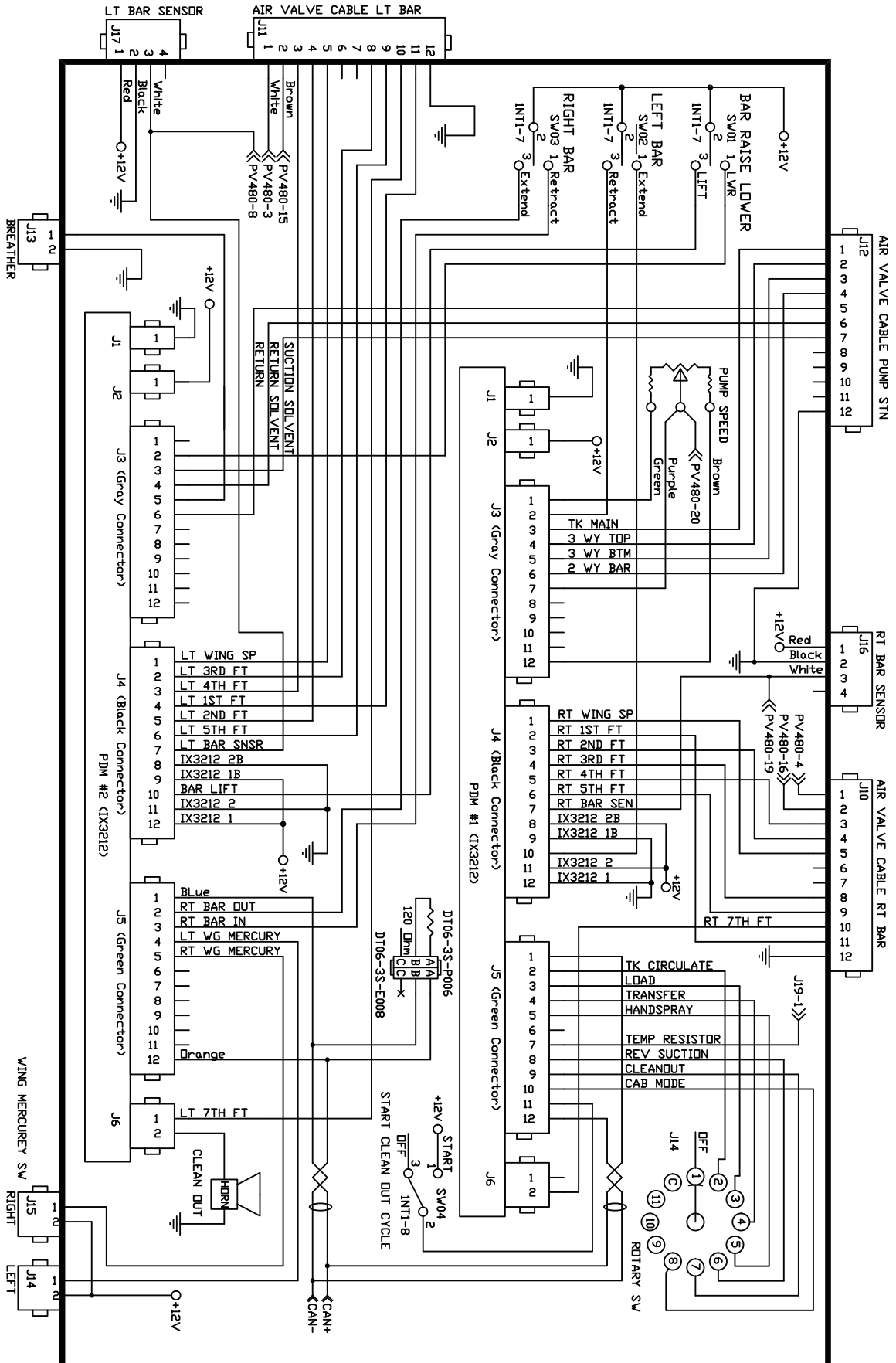
BOM ID	Part Number	Description	Quantity
1	123461-H1-CW	Hydraulic Pump for PTO	1*
2	123461-H1-CCW	Hydraulic Pump for Front Live Power	1*
3	011-0152A	Aux Hyd Pump CW Rotation	1*
3.1	011-0152B	Aux Hyd Pump CCW Rotation (Front live power)	1*
4	021-0169	Hydraulic Filter	1
5	021-0192	Hydraulic Filter Head	1
6	017-0212	Valve Bank Assembly 3 Station	1
7	017-0212-1	Individual Valve Section	3
1* - Dependant on truck configuration			

Hydraulic Pump (SN 062+)

No Exploded View Available

BOM	Part Number	Description	Qty
1	011-0283	Pump Hydraulic CW	1
2	011-0284	Pump Hydraulic CCW Front live power	1
3	021-0251	Filter Hydraulic Assembly Complete	1
4	021-0252	Filter hydraulic element	1

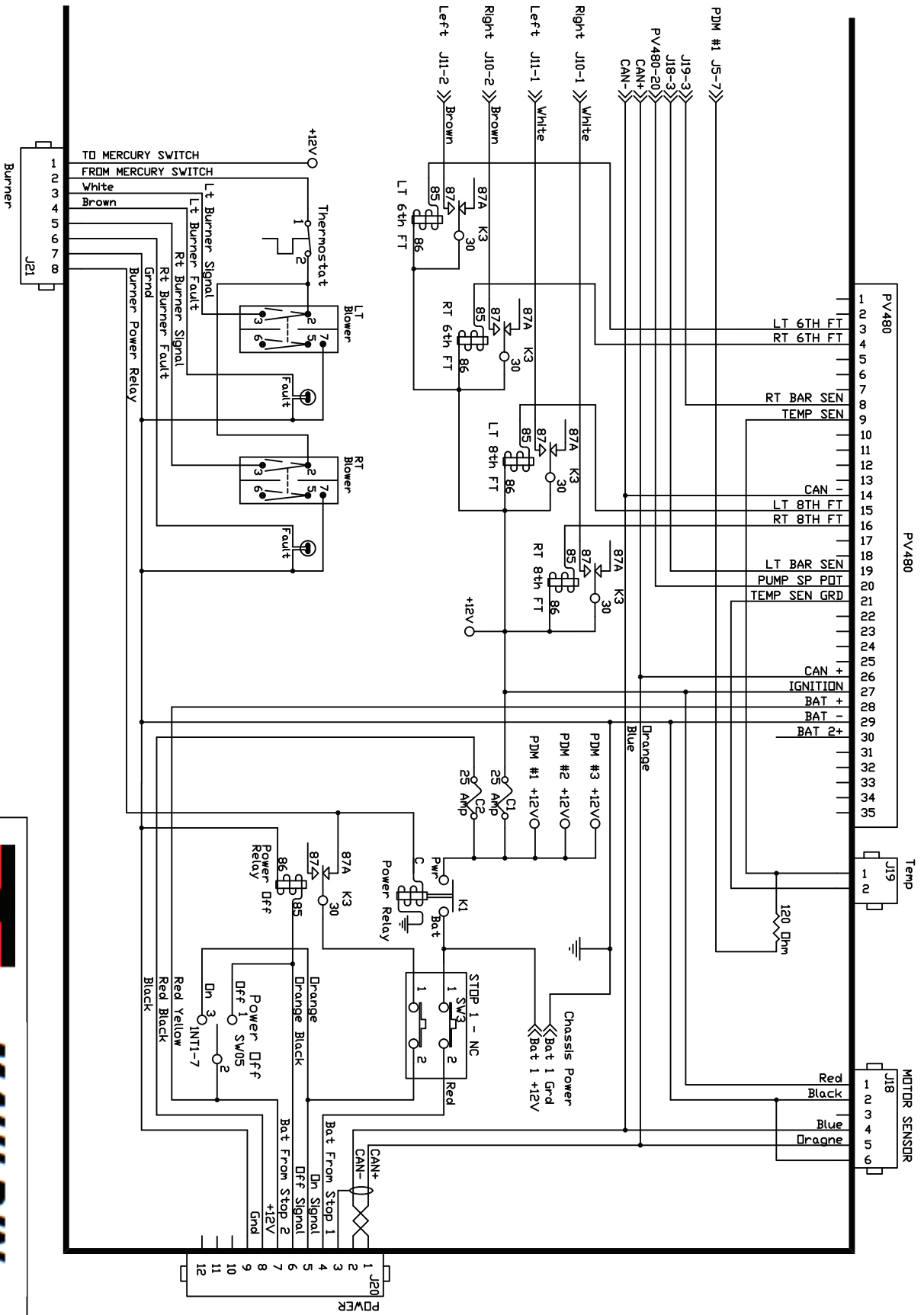
Electric Schematics



VENDOR No. : NA	DRAWN: DMC	8/22/16
VENDOR DATE: NA	EFFECTIVE IN SN: 2/23/17	
VENDOR TITLE: NA	EFFECTIVE OUT SN:	
VENDOR CAD_FILE: NA	CAD_FILE: PS 2016-01.dwg	8/22/16



TITLE: Precision Spray Mid Control	DRAWING NO.: ELPS2016 01	REVISION NO.: 02
		SHEET: 1 OF: 4

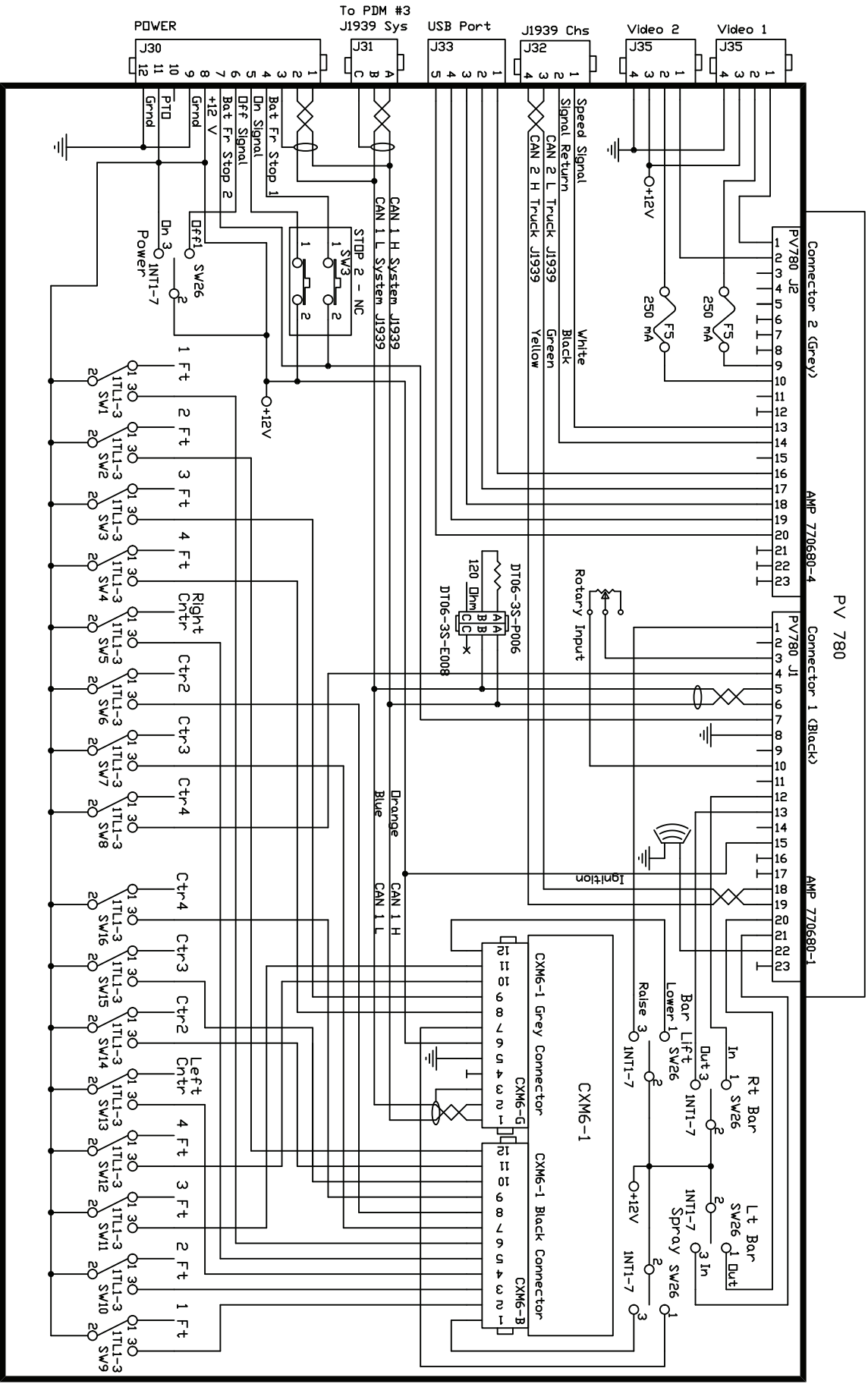


VENDOR No. : NA	DRAWN: DMC	8/22/16
VENDOR DATE: NA	EFFECTIVE IN SN: 2/23/17	
VENDOR TITLE: NA	EFFECTIVE OUT SN:	
VENDOR CAD_FILE: NA	CAD_FILE: PS 2016-01.dwg	8/22/16



MAULDIN
Paving Products

TITLE: Precision Spray Mid Control	DRAWING NO.: EL PS2016 01	REVISION NO.: 02
		SHEET: 2 OF: 4

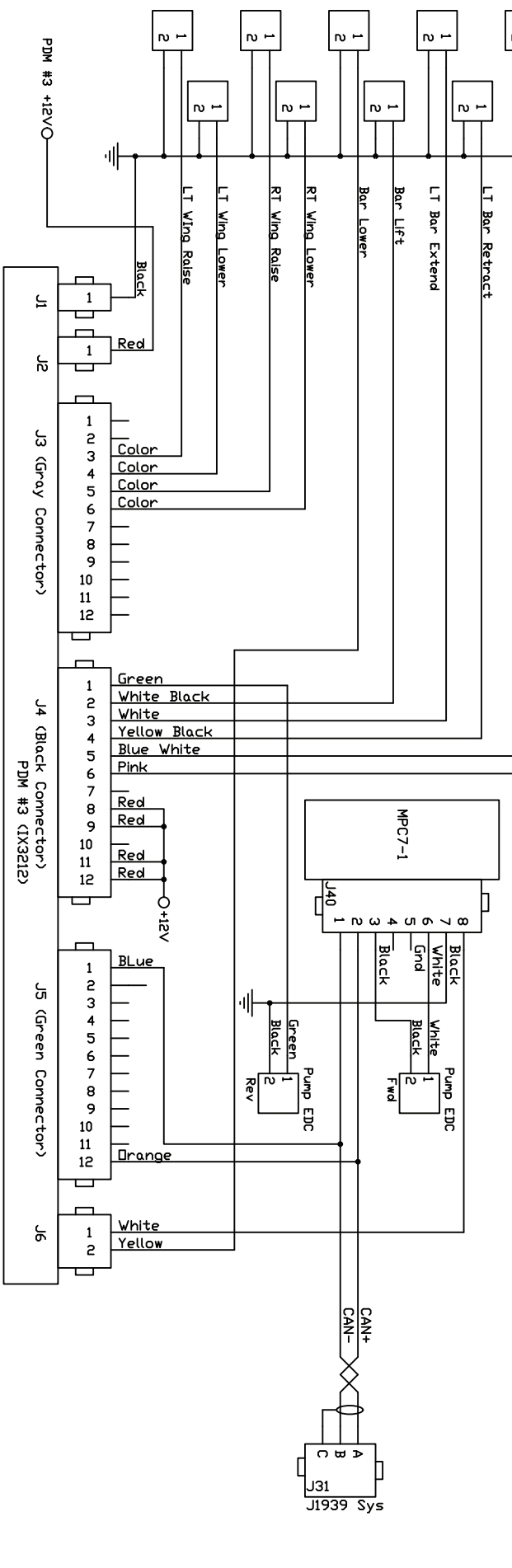
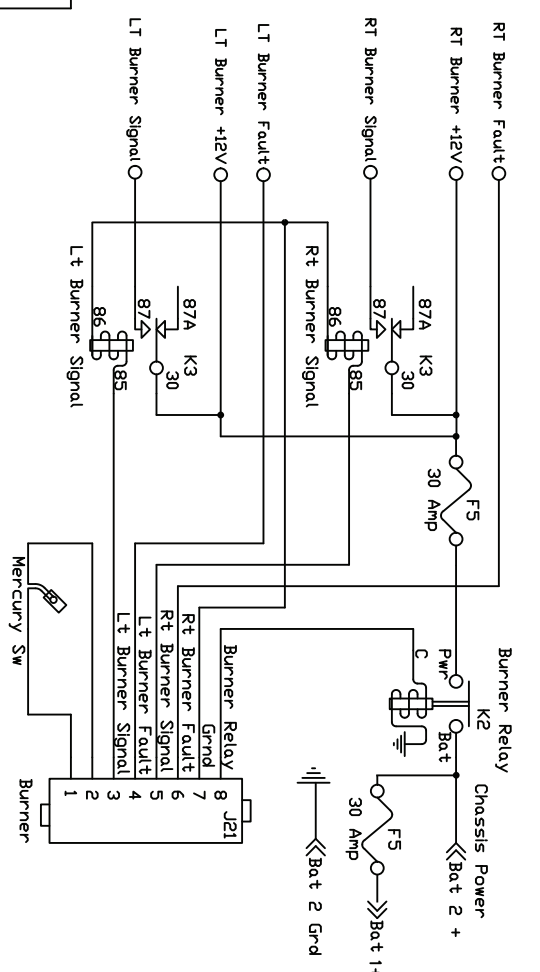
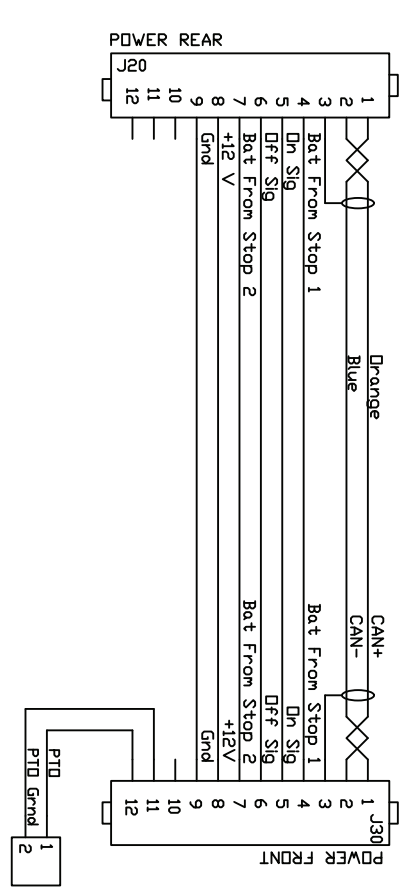


VENDOR No. : NA	DRAWN: DMC	8/22/16
VENDOR DATE: NA	EFFECTIVE IN SN: 2/23/17	
VENDOR TITLE: NA	EFFECTIVE OUT SN:	
VENDOR CAD_FILE: MA	CAD_FILE: PS 2016-01.dwg	8/22/16



MAULDIN
Paving Products

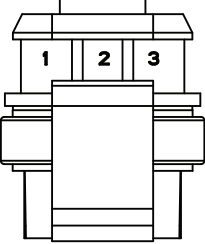
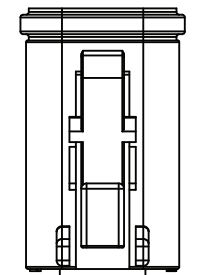
TITLE: Precision Spray Mid Control	DRAWING NO: EL PS2016 01	REVISION NO: 02
		SHEET: 3 OF: 4



VENDOR No. : NA	DRAWN: DMC	8/22/16
VENDOR DATE: NA	EFFECTIVE IN SN: 2/23/17	
VENDOR TITLE: NA	EFFECTIVE OUT SN:	
VENDOR CAD_FILE: NA	CAD_FILE: PS 2016-01.dwg	8/22/16



TITLE: Precision Spray Mid Control	DRAWING NO: ELPS2016 01	REVISION NO: 02
		SHEET: 4 OF: 4



AMP SUPERSEAL 1.5 SERIES 3P PL

AMP-0-0282087-1

DT06-4S
1
2
3
4



RED
BLACK
White

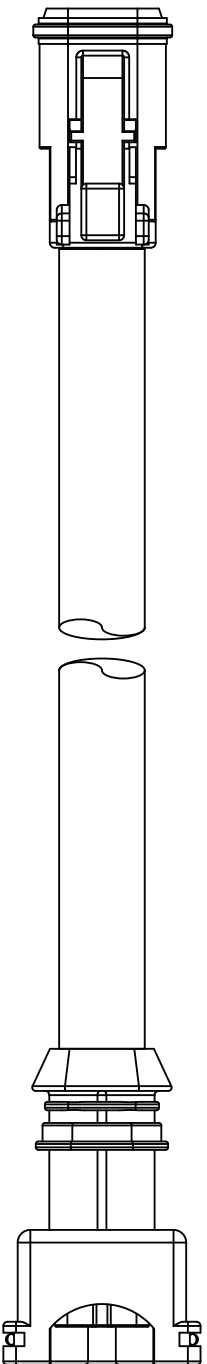
1 +12 V
2 Ground
3 Signal

VENDOR No. :	NA	DRAWN:	DMC	9/12/16
VENDOR DATE:	NA	EFFECTIVE IN SN:		2/23/17
VENDOR TITLE:	NA	EFFECTIVE OUT SN:		
VENDOR CAD_FILE:	na	CAD_FILE:	PS 2016-01.dwg	8/22/16



MAULDIN
Paving Products

TITLE:	Precision Spray Bar Sensor Cable	REVISION NO.:	00
DRAWING NO.:	Part No.	SHEET:	1 OF: 1



DT06-2S

Black / White

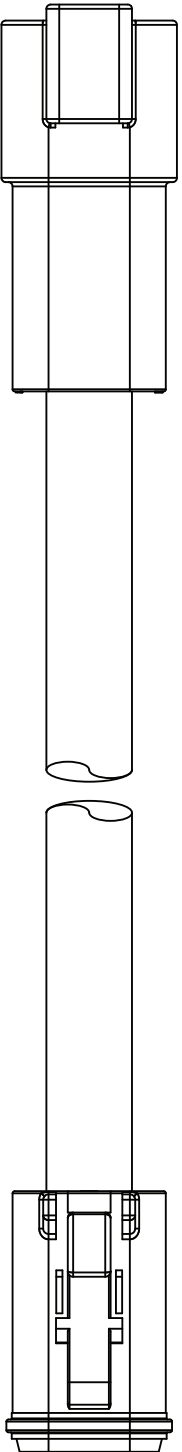
- 1 _____ AMP JPT 282189-1
- 2 _____ 1 Signal
- _____ 2 Signal Grd

VENDOR No. : NA	DRAWN: DMC	8/22/16
VENDOR DATE: NA	EFFECTIVE IN SN: 2/23/17	
VENDOR TITLE: NA	EFFECTIVE OUT SN:	
VENDOR CAD_FILE: NA	CAD_FILE: PS 2016-01.dwg	8/22/16



MAULDIN
Paving Products

TITLE: Precision Spray Temperature Sensor Cable	REVISION NO.: 00
DRAWING NO.: Part No.	SHEET: 1 OF: 1



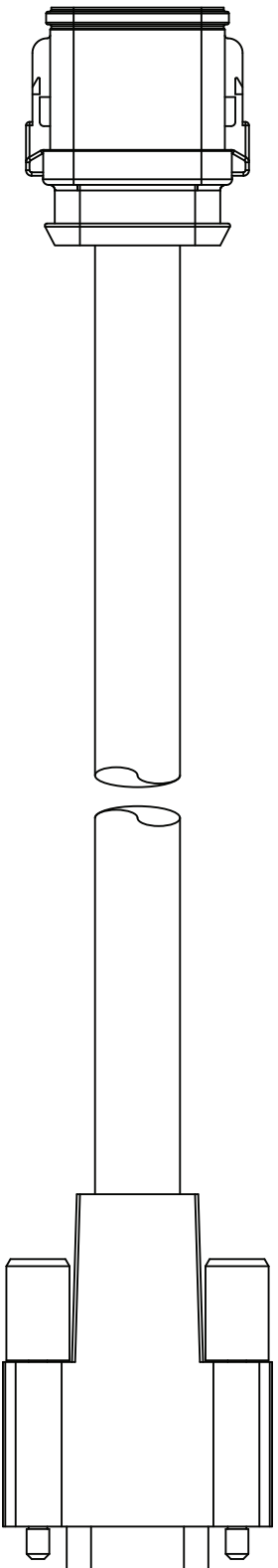
- | | | | | | |
|---------|---|------------------|---------|---|-------------------------|
| DT04-6P | 1 | RED | DT06-6S | 1 | +12 V |
| | 2 | BLACK | | 2 | Ground |
| | 3 | Blue or Green | | 3 | D1 (Pulse-Not Used) |
| | 4 | Orange or Yellow | | 4 | CAN (-) |
| | 5 | | | 5 | CAN (+) |
| | 6 | | | 6 | D2 (Direction-Not Used) |

VENDOR No. :	NA	DRAWN:	DMC	9/12/16
VENDOR DATE:	NA	EFFECTIVE IN SN:		2/23/17
VENDOR TITLE:	NA	EFFECTIVE OUT SN:		
VENDOR CAD_FILE:	na	CAD_FILE:	PS 2016-01.dwg	8/22/16



MAULDIN
Paving Products

TITLE:	Precision Spray Motor Sensor Cable
DRAWING NO.:	Part No.
REVISION NO.:	00
SHEET:	1 OF: 1



DT06-12SA

- 1 White
- 2 Brown
- 3 Green
- 4 Yellow
- 5 Grey
- 6 Pink
- 7 Blue
- 8 Violet
- 9 Black
- 10 Red
- 11 White
- 12 White / Yellow Ground

- 1 15 Pin Connector w/Molded Cable
- 1 Solenoid 1-A
- 2 Solenoid 2-A
- 3 Solenoid 3-A
- 4 Solenoid 4-A
- 5 Solenoid 5-A
- 6 Solenoid 6-A
- 7 Solenoid 7-A
- 8 Solenoid 1-B
- 9 Solenoid 2-B
- 10 Solenoid 3-B
- 11 Solenoid 4-B
- * 12 Solenoid 5-B
- * 13 Solenoid 6-B
- * 14 Solenoid 7-B
- 15 Common

VENDOR No. : NA	DRAWN: DMC	9/12/16
VENDOR DATE: NA	EFFECTIVE IN SN: 2/23/17	
VENDOR TITLE: NA	EFFECTIVE OUT SN:	
VENDOR CAD_FILE: NA	CAD_FILE: PS 2016-01.dwg	8/22/16



MAULDIN
Paving Products

TITLE: Precision Spray Air Valve Cable	DRAWING NO.: 017-0204-15C	REVISION NO.: 00
		SHEET: 1 OF: 1

Warranty



CALDER BROTHERS CORPORATION

(LIMITED) PRODUCT WARRANTY

Calder Brothers Corporation warrants that the Paver, Roller, Tank or Grader under this program will be free from defects in material and workmanship for a period of (12) twelve months from the date of installation. Written notice of any claimed defect must be given to Calder Brothers Corporation within the warranty period and within (30) thirty days after such defect is discovered. Liability under this warranty is limited to replacing or repairing at Calder Brothers Corporation election, any part or parts deemed defective after examination by Calder Brothers Corporation or an Authorized Service Representative via prepaid transportation for which is found to be defective, will be repaired or replaced and returned to the customer via prepaid surface transportation within the United States. Should any part be found not defective, inspection and handling may be charged to the customer by Mauldin or an Authorized Service Representative.

EXCLUSIONS:

This warranty does not apply to routine wearable parts of the Mauldin machine such as seals, points, plugs, hoses or similar items. This warranty does not extend to any machine or part replaced or repaired under this warranty. This warranty does not cover any repair or replacement labor or any part of parts found defective after examination by Mauldin or an Authorized Service Representative. This warranty does not apply to defects caused by casualty or unreasonable use, including faulty repairs by others and failure to provide reasonable and necessary maintenance.

THIS WARRANTY SET FORTH HEREIN IS IN LIEU OF AND EXCLUDES ANY AND ALL OTHER WARRANTIES, EXPRESSED OR IMPLIED, ARISING BY OPERATION OF LAW OR OTHERWISE, INCLUDING, BUT NOT LIMITED TO, ANY IMPLIED WARRANTY OF MERCHANTABILITY OR FITNESS FOR A PARTICULAR PURPOSE, AND CUSTOMER WAIVES ANY OBLIGATION OF LIABILITY OF MAULDIN ARISING IN TORT OR STRICT LIABILITY IN TORT, OR FOR LOSS OR USE, REVENUE OR PROFIT WITH RESPECT TO MAULDIN MACHINE AND/OR PARTS FOR ANY LIABILITY OF CUSTOMER TO ANY THIRD PARTY, OR FOR OTHER DIRECT, INCIDENTAL OR CONSEQUENTIAL DAMAGES.

I have read and fully understand the warranty policy above.

Customer

CALDER BROTHERS CORPORATION

Witness